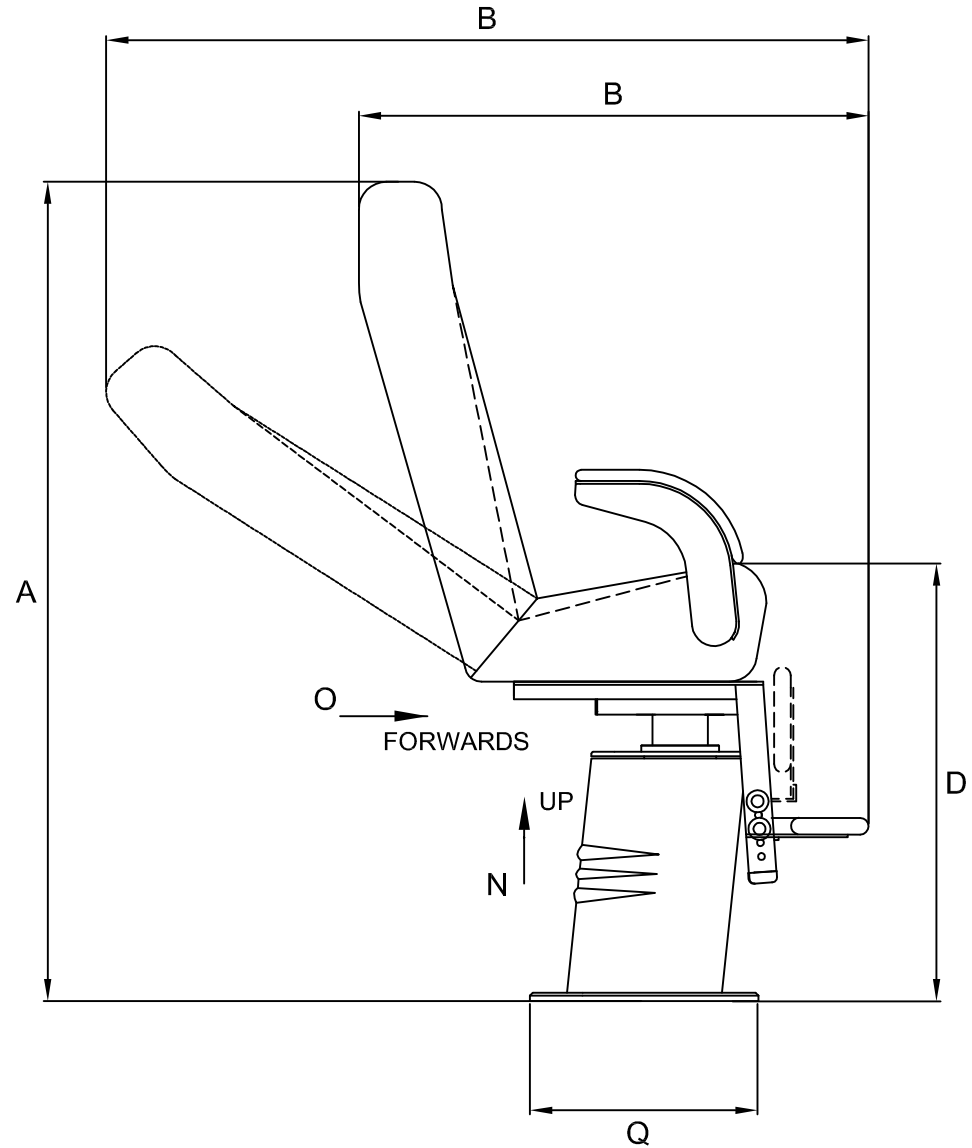
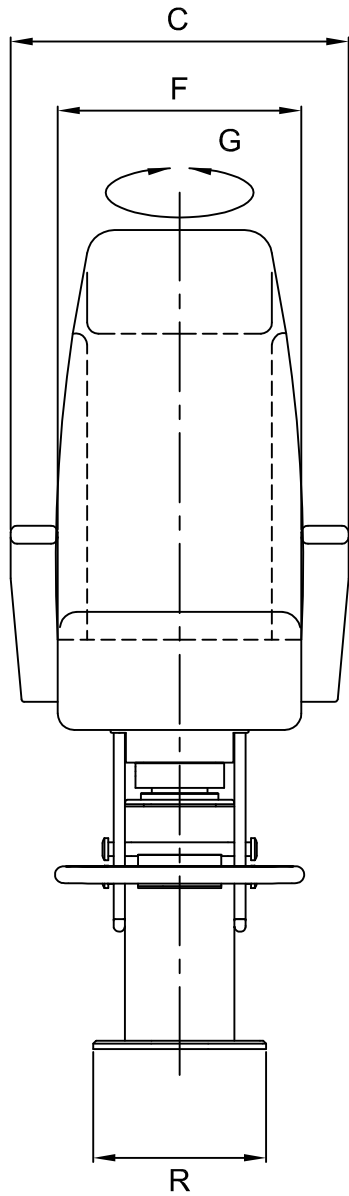


A (mm)	1480
B (mm)	920-1380
C (mm)	610
D (mm)	790
F (mm)	440
G (°)	90+90
N (mm)	250
O (mm)	180
Q (mm)	412
R (mm)	312
Weight (Kg)	60



The padding could vary the sizes of few centimeters

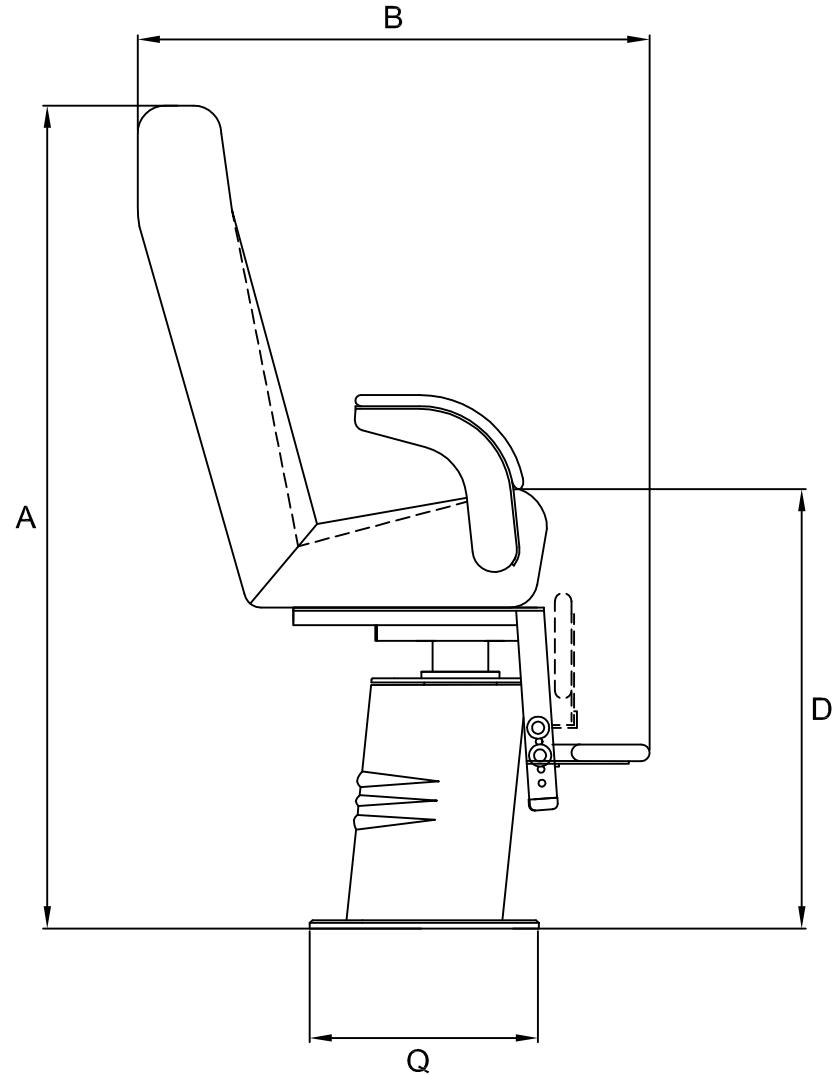
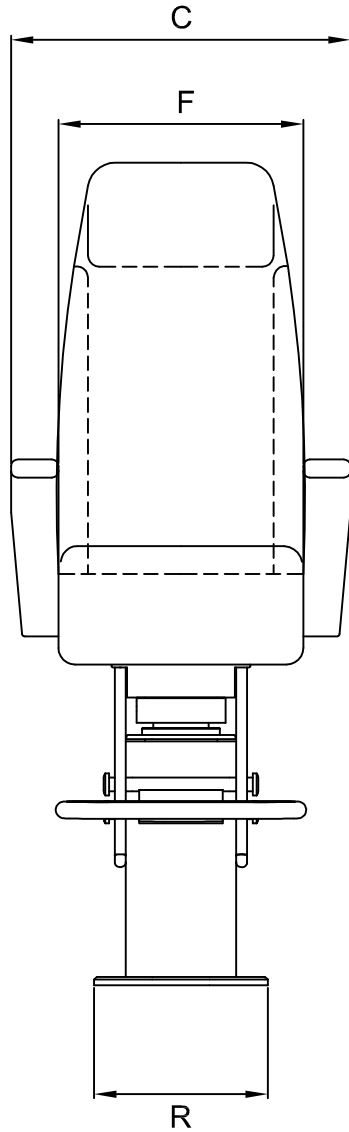


Product

**P 238**

**Automatic Helm Seat**

A (mm)	1480
B (mm)	920
C (mm)	610
D (mm)	790
F (mm)	440
Q (mm)	412
R (mm)	312
Weight (Kg)	60



The padding could vary the sizes of few centimeters



Product

**P 238 F**

**Helm Seat**