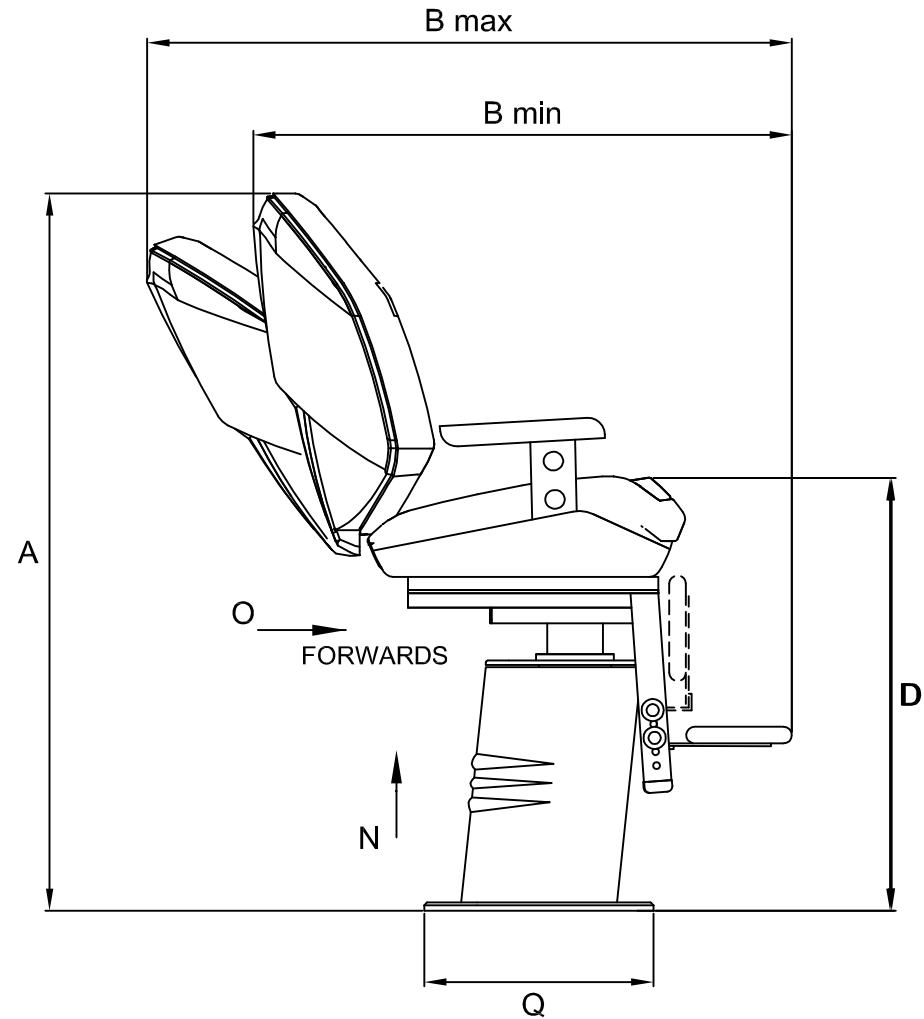
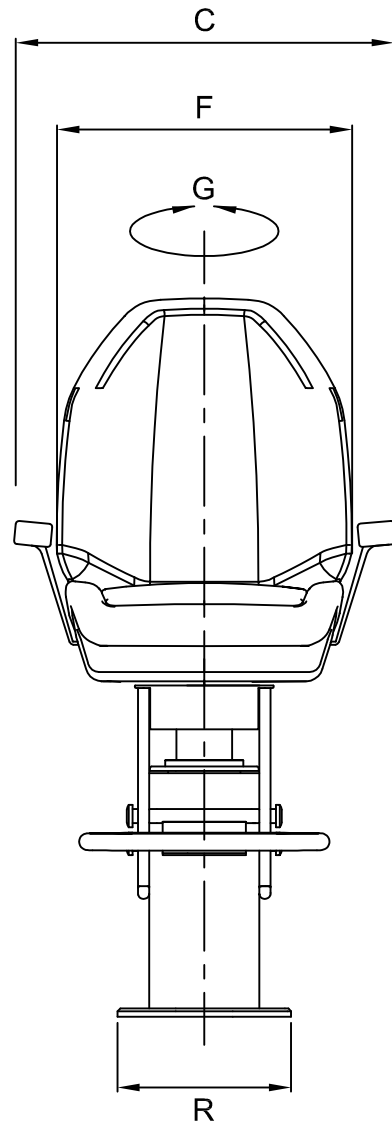


A (mm)	1290
B (mm)	900-1150
C (mm)	680
D (mm)	780
F (mm)	500
G (°)	90 + 90
N (mm)	250
O (mm)	180
Q (mm)	412
R (mm)	312
Weight (Kg)	48



The padding could vary the sizes of few centimeters



Product

P 254

Helm Seat