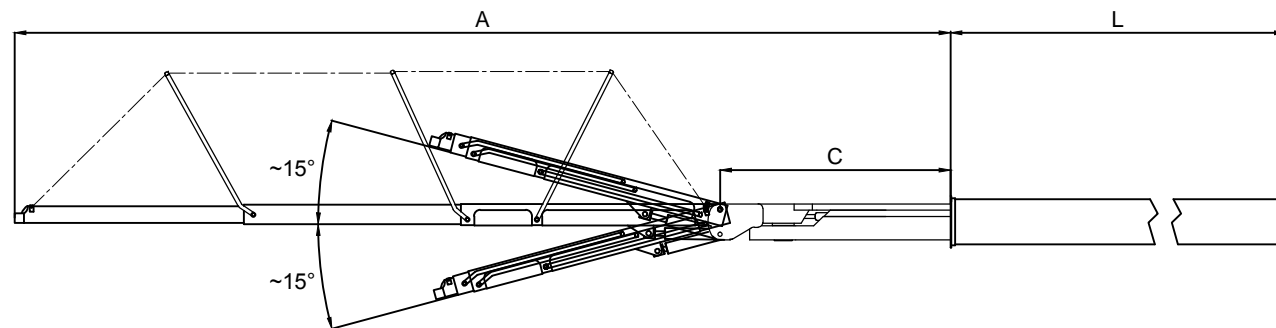
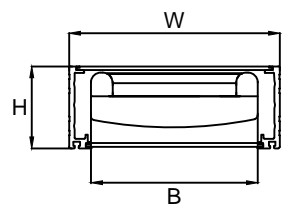
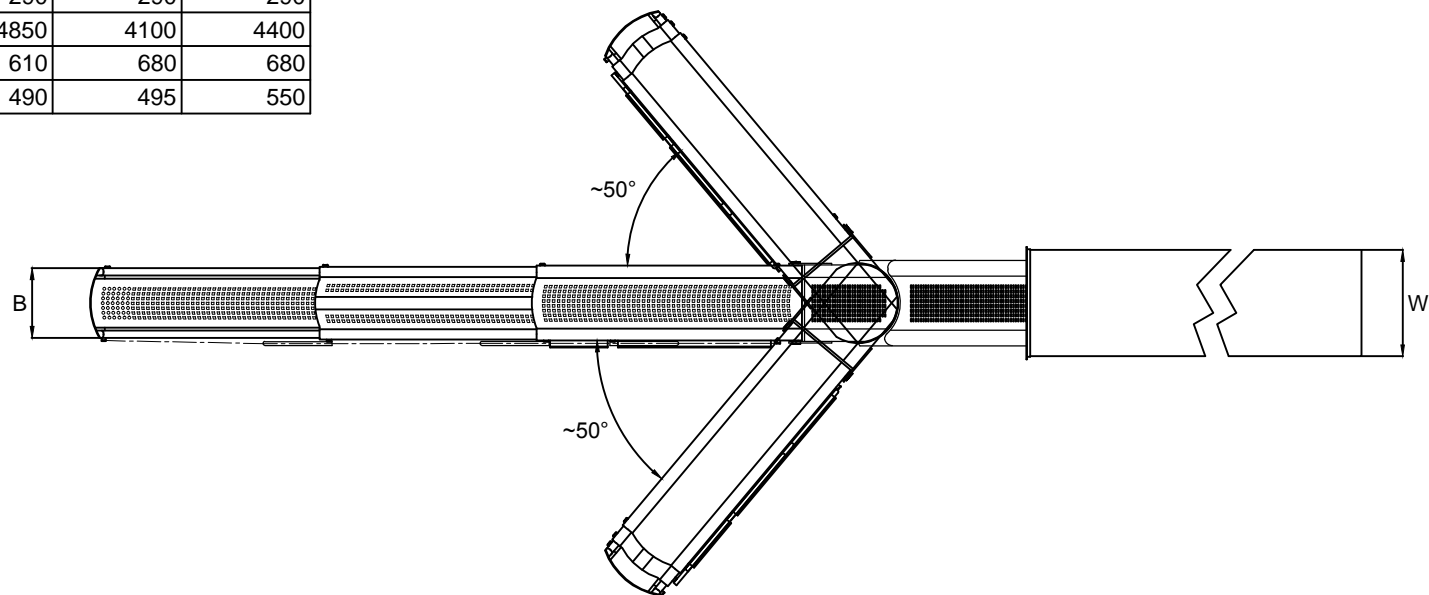


A (mm)	3300	4100	5750	5000	5500
B (mm)	450	450	450	480	480
C (mm)	940	600	2250	1000	1000
H (mm)	290	290	290	290	290
L (mm)	3050	3900	4850	4100	4400
W (mm)	610	610	610	680	680
Peso / Weight (Kg)	450	455	490	495	550



b[®] besenzoni
ITALY

Codice / Code

PI 390

Passerella idraulica rientrante
Hydraulic retractable passerelle