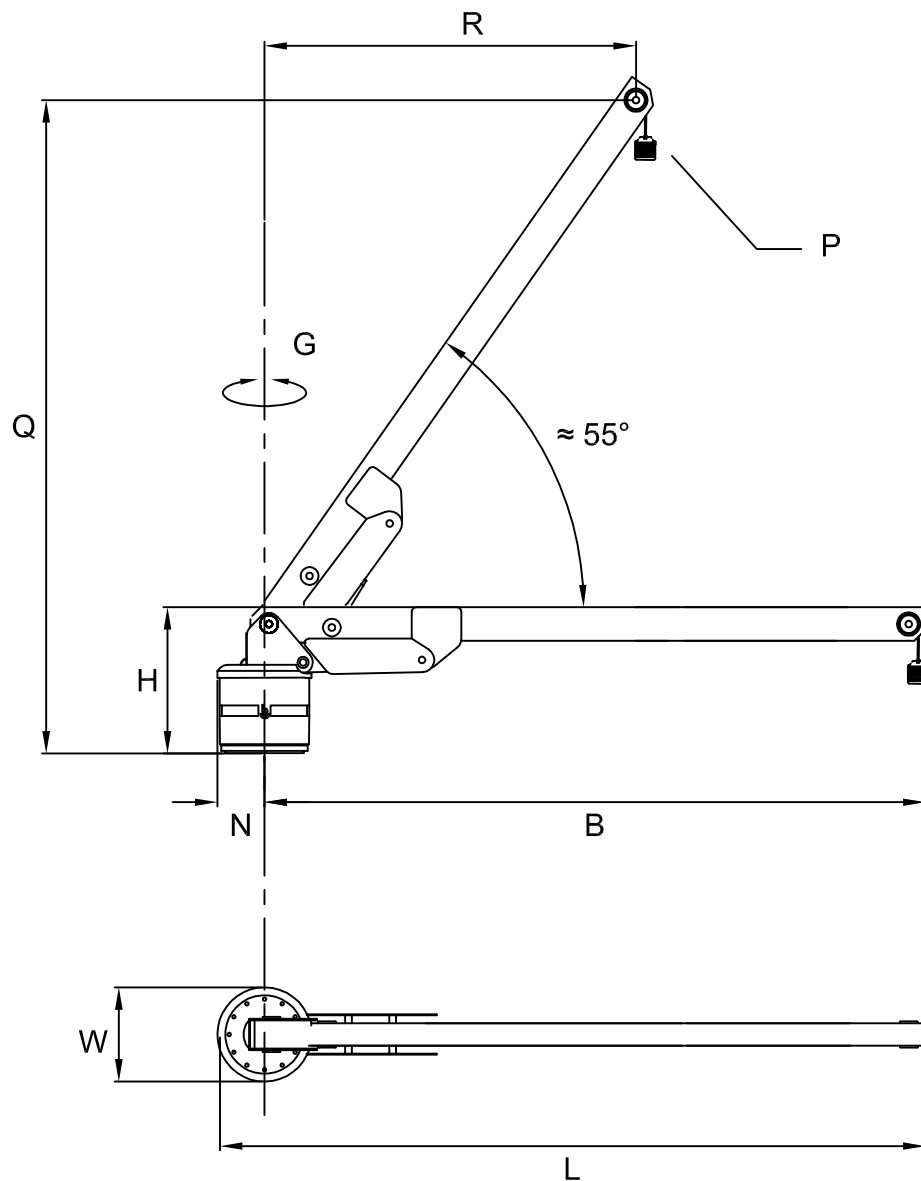


Lifting capacity (Kg)	400
B (mm)	2910
G (°)	180 or 270
H (mm)	650
L (mm)	3155
N (mm)	210
P (mm)	5500
Q (mm)	2910
R (mm)	1655
W (mm)	Ø 420
Weight (Kg)	360



Product

**G 340**

**Hydraulic Crane**