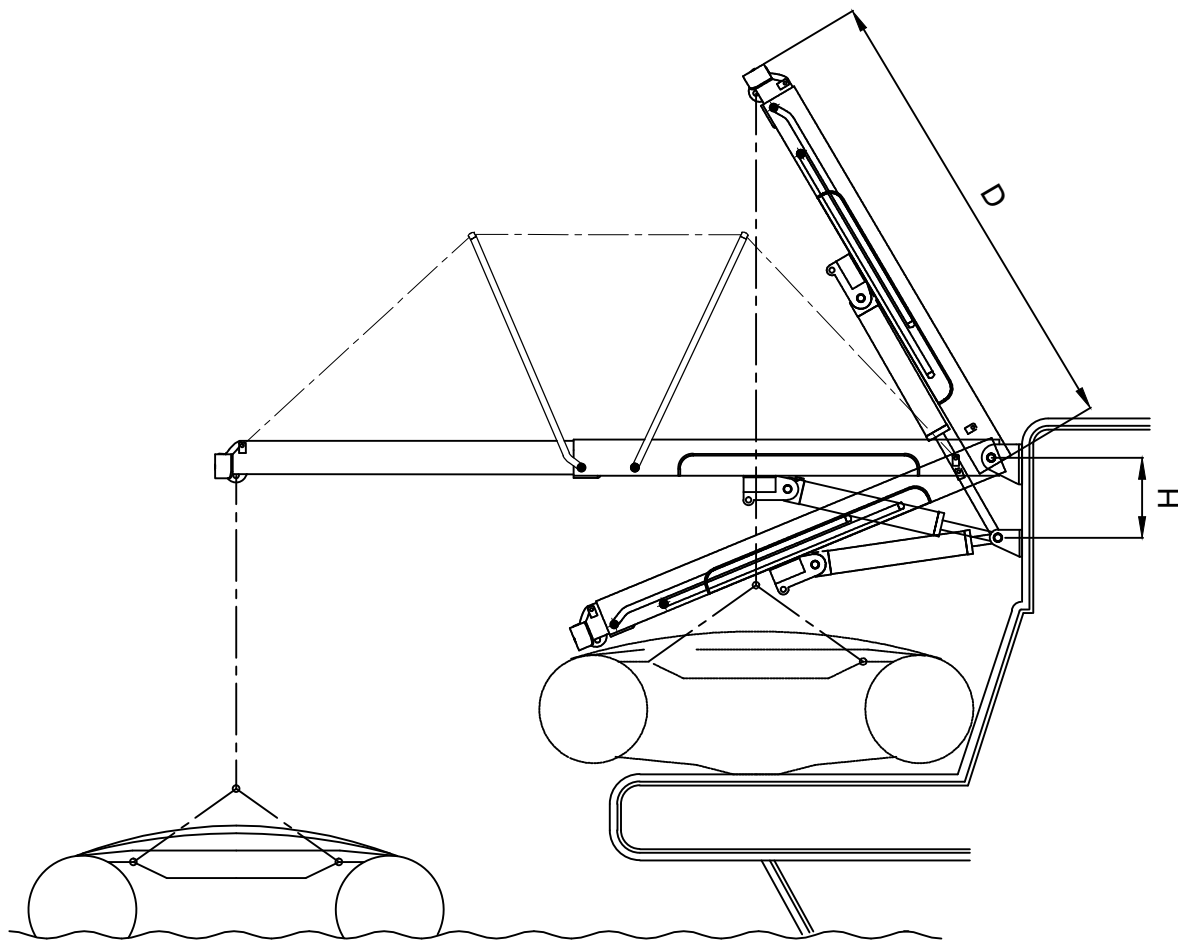
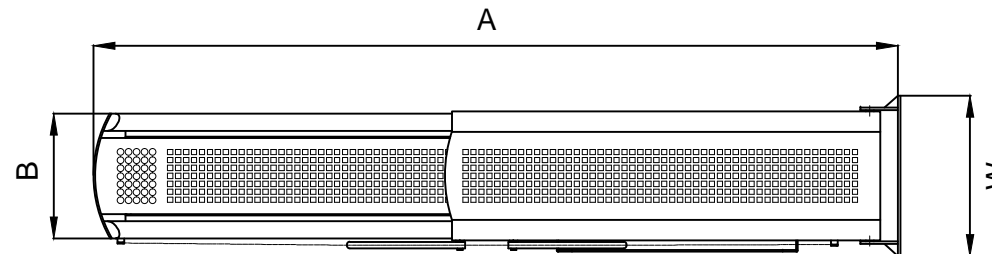


<b>Portata/Lifting capacity (Kg)</b>	450	450	450
A (mm)	2540	2860	2940
B (mm)	480	480	480
D (mm)	1540	1670	1740
H (mm)	350	350	350
W (mm)	600	600	600
<b>Peso / Weight (Kg)</b>	180	185	190



Codice / Code

**PI 482 BIG  
SPRINT**

**Passerella idraulica esterna  
Hydraulic external passerelle**