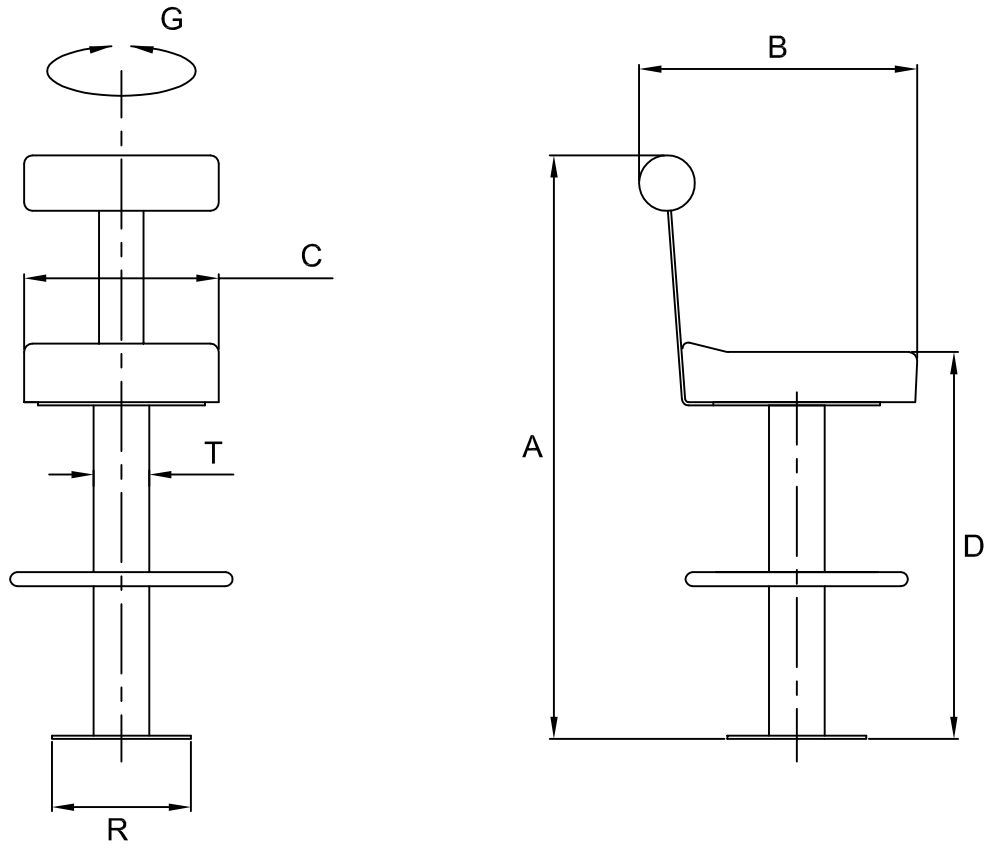


A (mm)	1050
B (mm)	500
C (mm)	350
D (mm)	≈ 700
G (°)	360
R (mm)	∅ 250
T (mm)	∅ 100
Weight (Kg)	26



The padding could vary the sizes of few centimeters

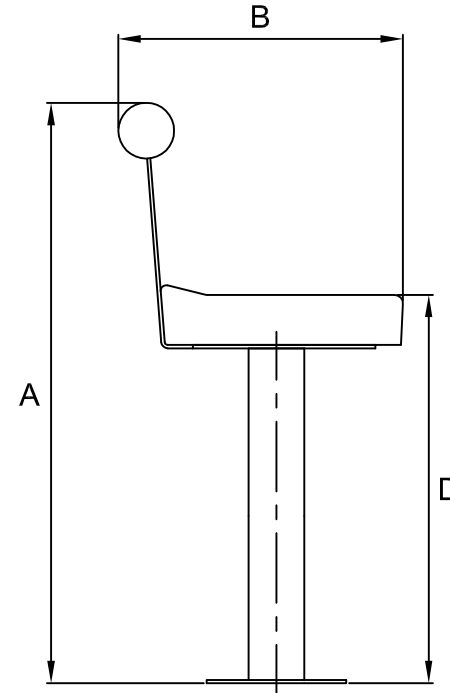
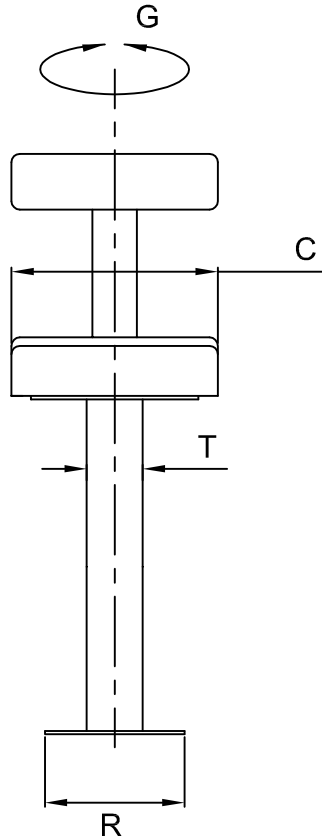


Product

P 230

Helm Seat

A (mm)	1040
B (mm)	510
C (mm)	370
D (mm)	≈700
G (°)	360
R (mm)	∅ 250
T (mm)	100x100
Weight (Kg)	26



The padding could vary the sizes of few centimeters



Product

P 230 Q

Helm Seat