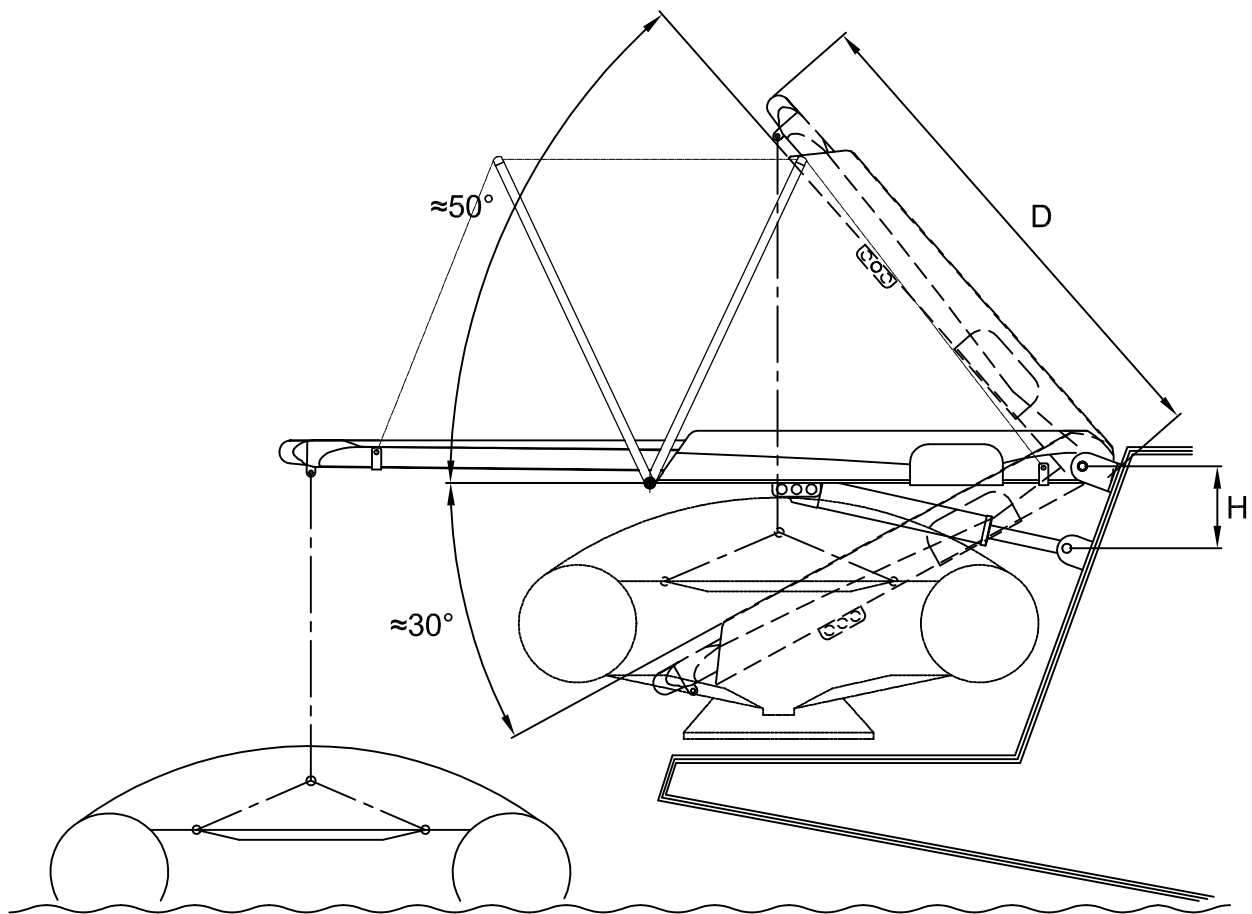
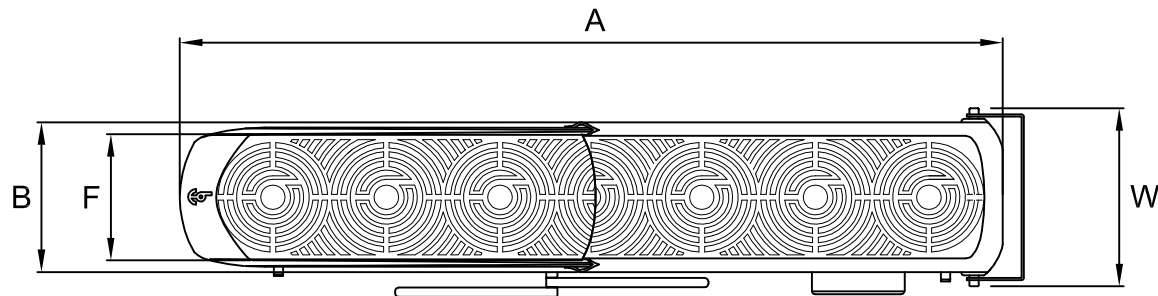


Lifting capacity (Kg)	100
A (mm)	2200
B (mm)	400
D (mm)	1500
F (mm)	340
H (mm)	220
W (mm)	480
Weight (Kg)	54



Product

PI 387 SKIPPER

Hydraulic External Passerelle