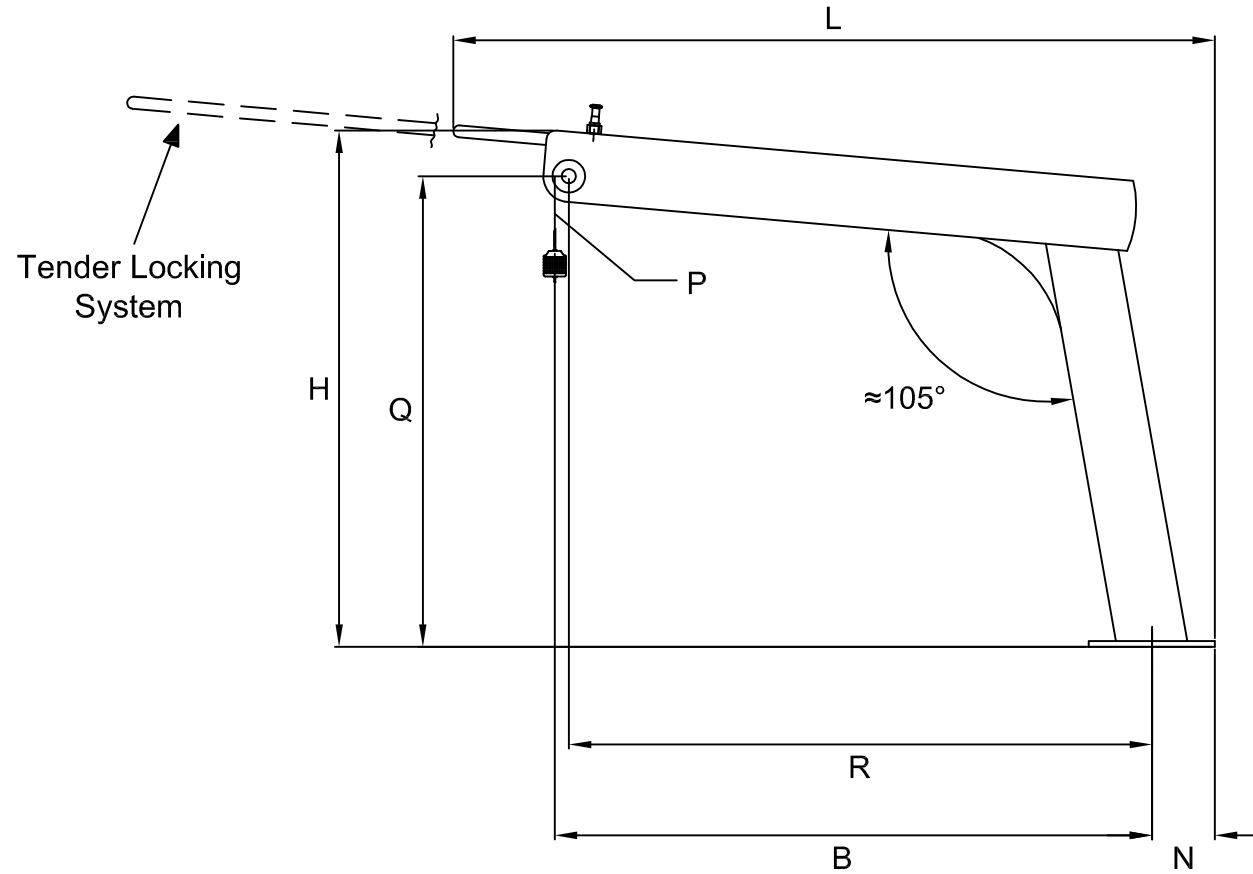
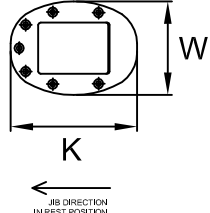
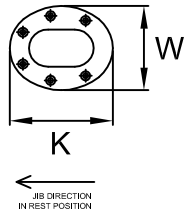


| | | |
|-----------------------|----------|----------|
| Lifting capacity (Kg) | 300 | 500 |
| | 150 each | 250 each |
| B (mm) | 1285 | 1280 |
| H (mm) | 1100 | 1100 |
| K (mm) | 220 | 270 |
| L (mm) | 1610 | 1630 |
| N (mm) | 110 | 135 |
| P (mm) | 1700 | 1700 |
| Q (mm) | 1005 | 1005 |
| R (mm) | 1250 | 1250 |
| W (mm) | 180 | 200 |
| Weight (Kg) | 300 | 500 |
| | 150 each | 250 each |



BASEPLATE 150Kg

BASEPLATE 250Kg

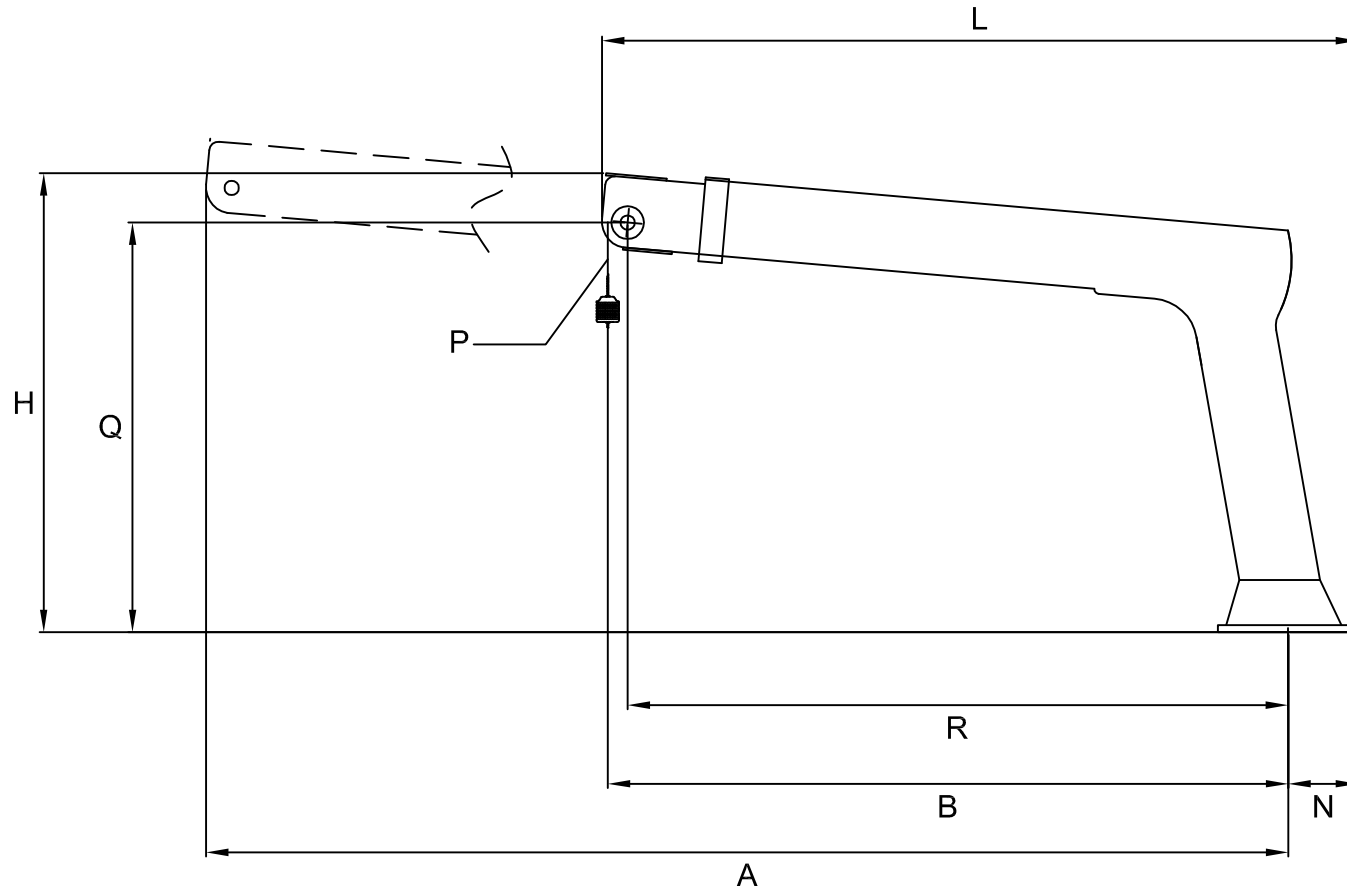


Product

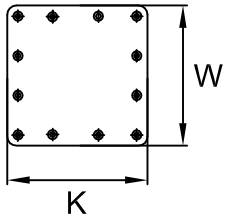
G 334 FIXED (PAIR)

Hydraulic Crane

| | |
|-----------------------|----------|
| Lifting capacity (Kg) | 400 |
| | 200 each |
| A (mm) | ≈ 2300 |
| B (mm) | ≈ 1455 |
| H (mm) | 980 |
| K (mm) | 300 |
| L (mm) | 1620 |
| N (mm) | 150 |
| P (mm) | 1700 |
| Q (mm) | 875 |
| R (mm) | 1415 |
| W (mm) | 300 |
| Weight (Kg) | 300 |
| | 150 each |



BASEPLATE 200 Kg



b[®] besenzoni
ITALY

Product

G 334 TELESCOPIC (PAIR)

Hydraulic Crane