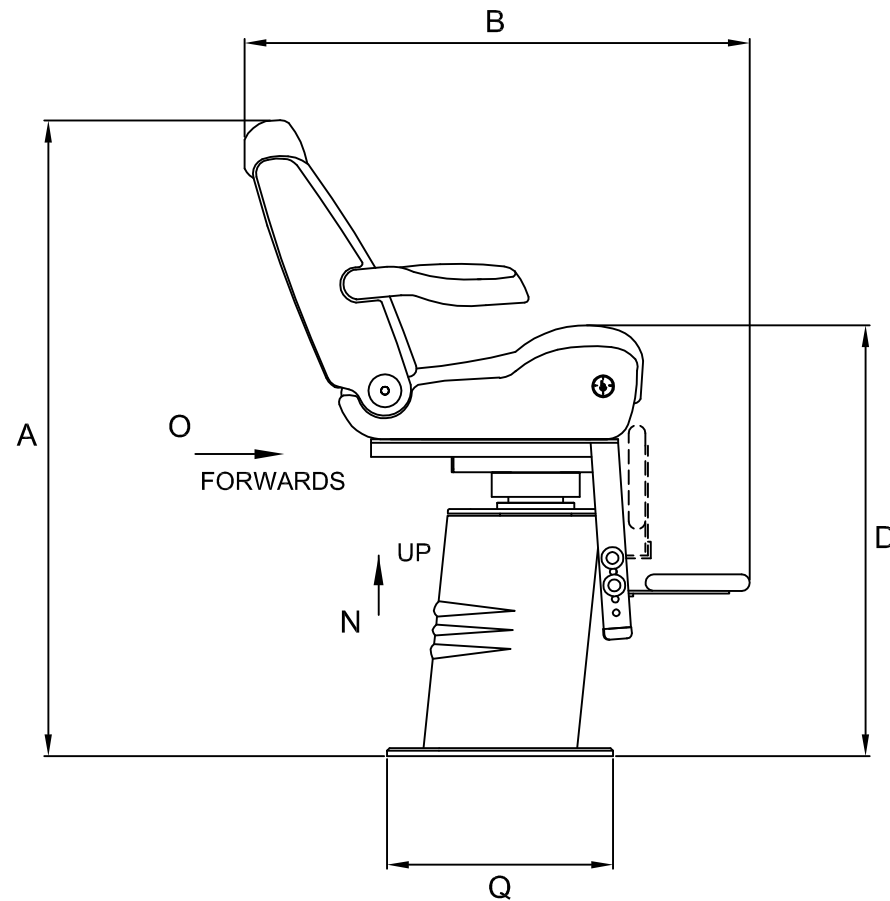
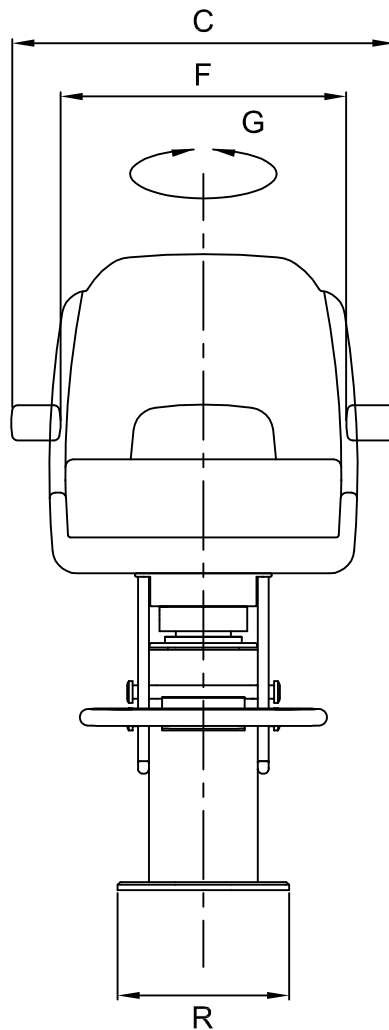


A (mm)	1160
B (mm)	920
C (mm)	700
D (mm)	790
F (mm)	520
G (°)	90+90
N (mm)	250
O (mm)	160
Q (mm)	412
R (mm)	312
Weight (Kg)	60



The padding could vary the sizes of few centimeters



Product

P 217 PRESIDENT SPORT

Automatic Helm Seat