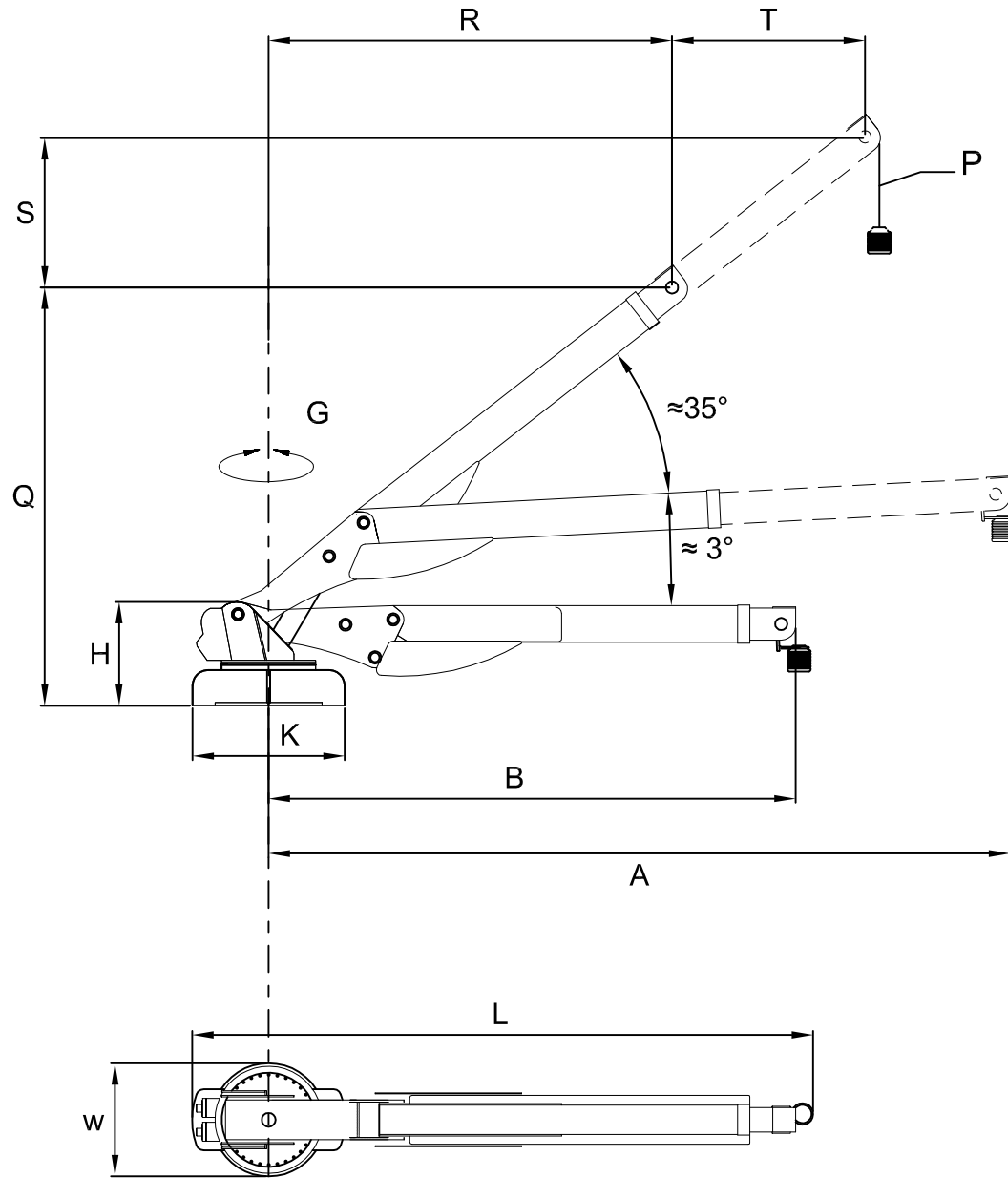


Lifting capacity (Kg)	1000
A (mm)	4800
B (mm)	3500
G (°)	180
H (mm)	680
K (mm)	1050
L (mm)	4100
P (mm)	4500
Q (mm)	2700
R (mm)	2640
S (mm)	970
T (mm)	1260
W (mm)	Ø740
Weight (Kg)	920



Product

G 424 S

Hydraulic Crane