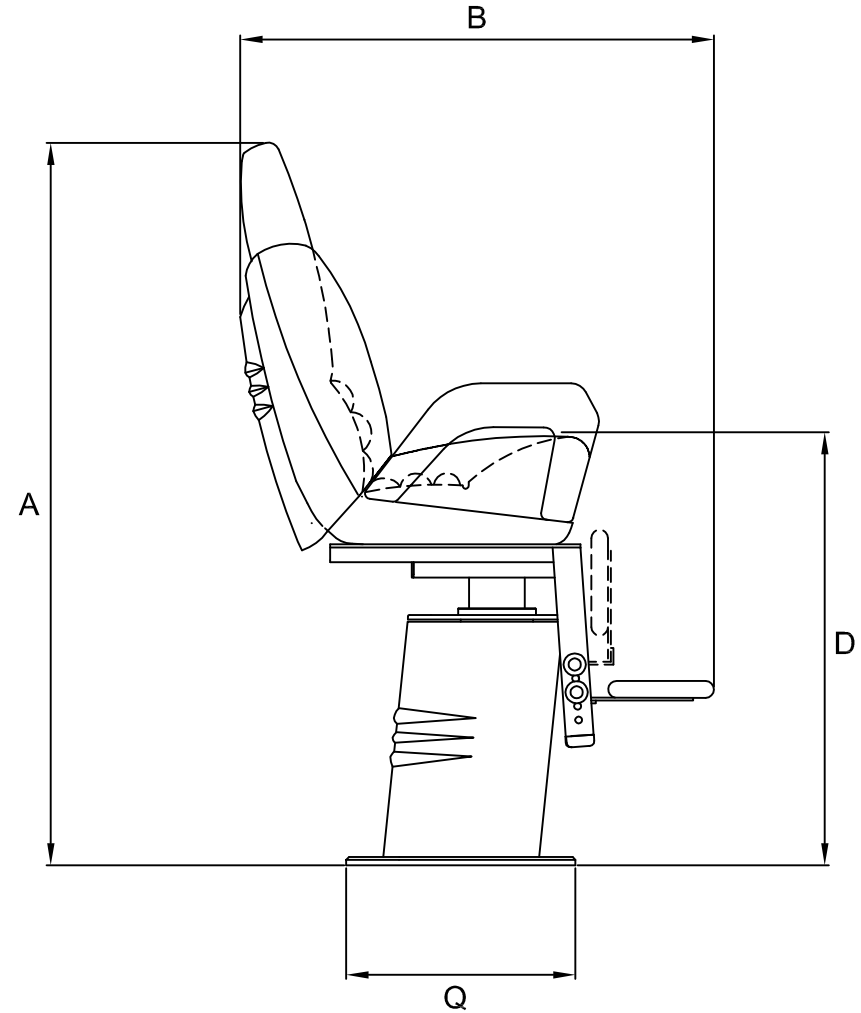
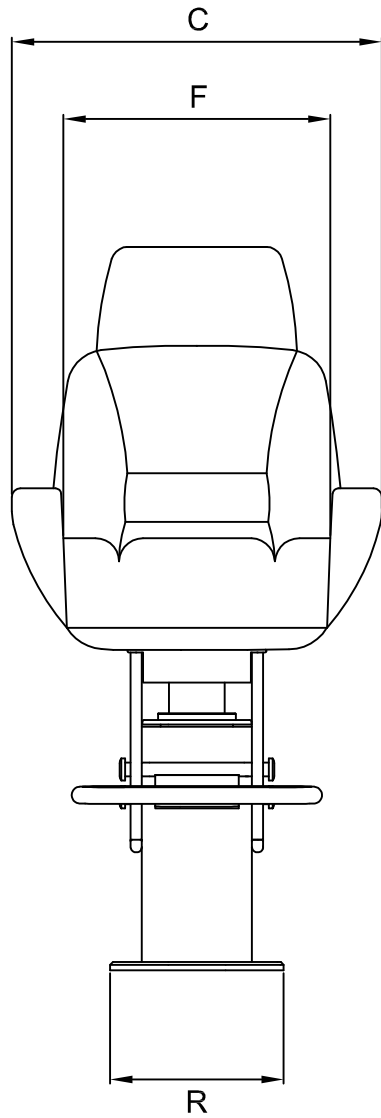


A (mm)	≈ 1300
B (mm)	≈ 850
C (mm)	670
D (mm)	780
F (mm)	480
Q (mm)	412
R (mm)	312
Weight (Kg)	60



The padding could vary the sizes of few centimeters



Product

P 216 F PRESIDENT

Helm Seat