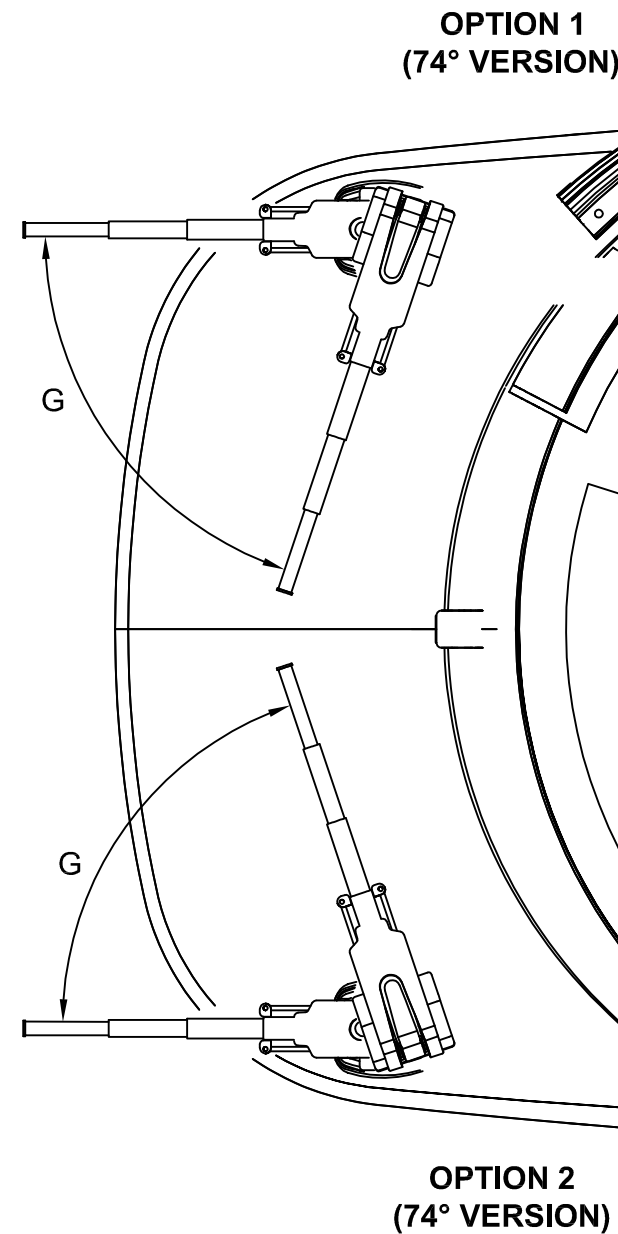
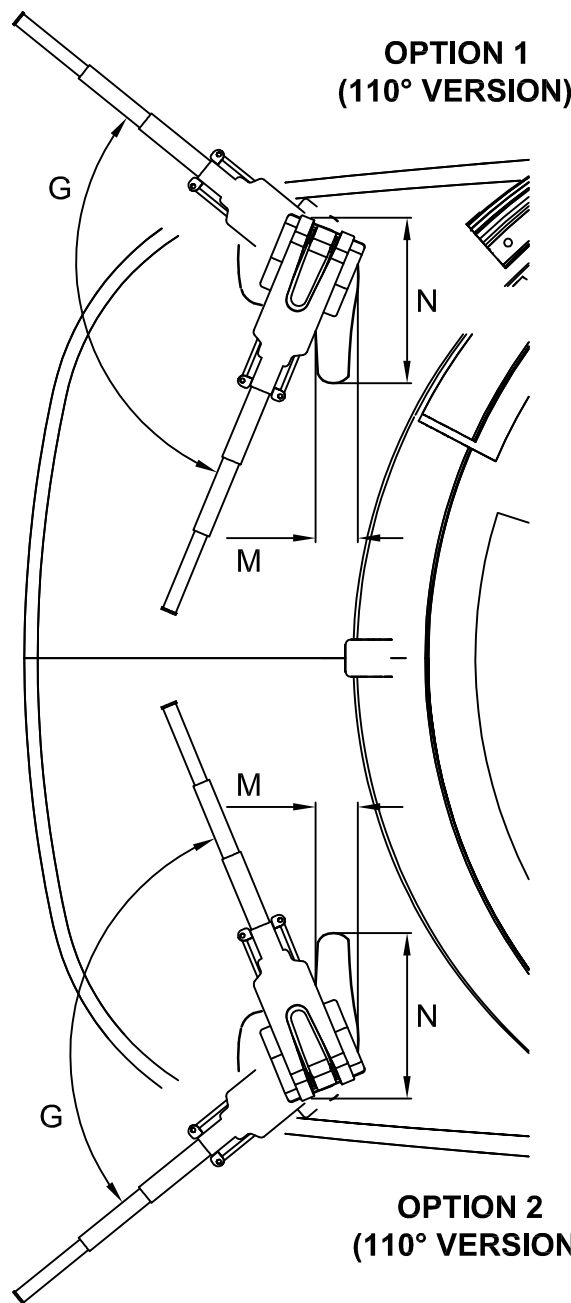
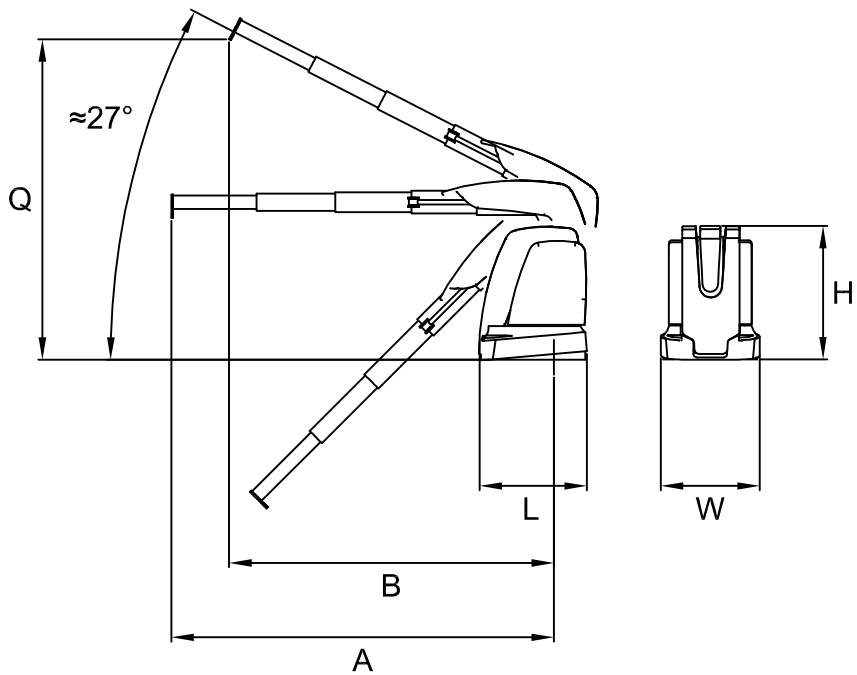


Lifting capacity (Kg)	300	300
A (mm)	1700	1700
B (mm)	1450	1450
G (°)	74	110
H (mm)	600	600
L (mm)	490	490
M (mm)	-	200
N (mm)	-	800
Q (mm)	1430	1430
W (mm)	450	450
Weight (Kg)	230	230



Product

G 326 MAGIC

Hydraulic Crane