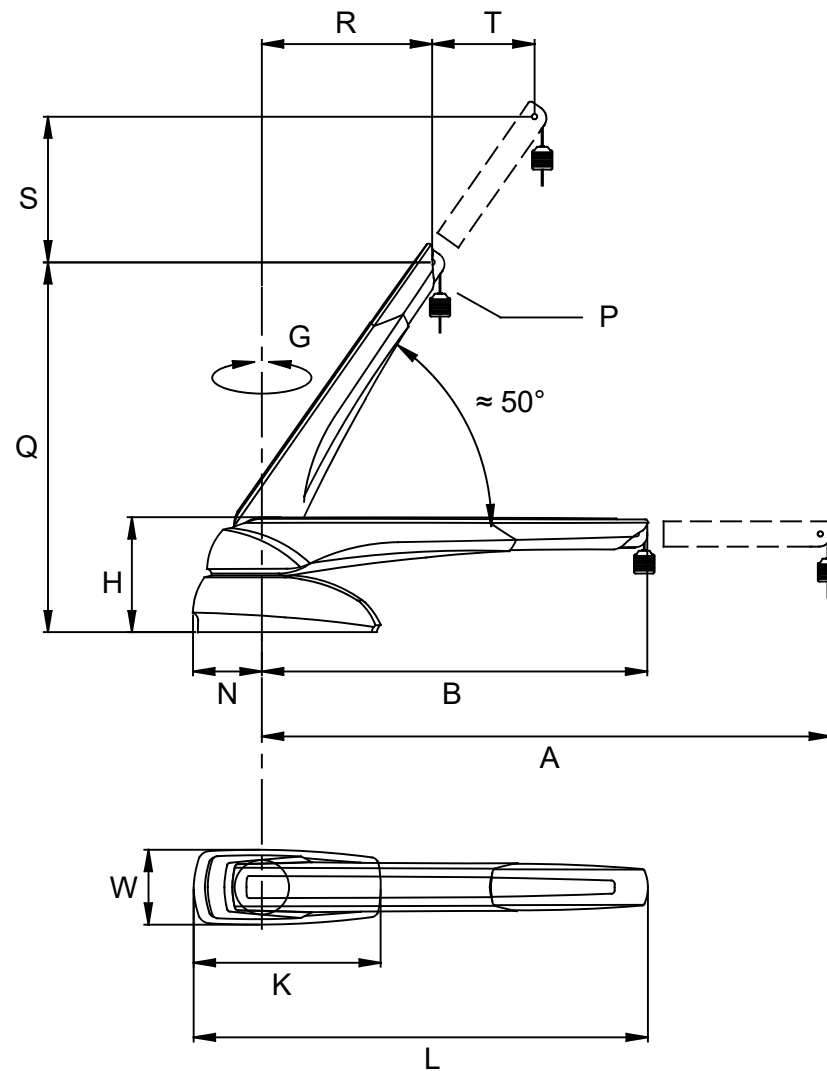


Lifting capacity (Kg)	700	700	700
A (mm)	3000	3500	4180
B (mm)	2200	2380	2630
G (°)	180 or 270		
H (mm)	860	860	860
K (mm)	1400	1400	1400
L (mm)	2800	3050	3400
N (mm)	515	515	515
P (mm)	4400	5200	6800
Q (mm)	2400	2580	2780
R (mm)	1335	1490	1650
S (mm)	700	900	1090
T (mm)	580	740	900
W (mm)	560	560	560
Weight (Kg)	600	610	630



Product

G 711

Hydraulic Crane