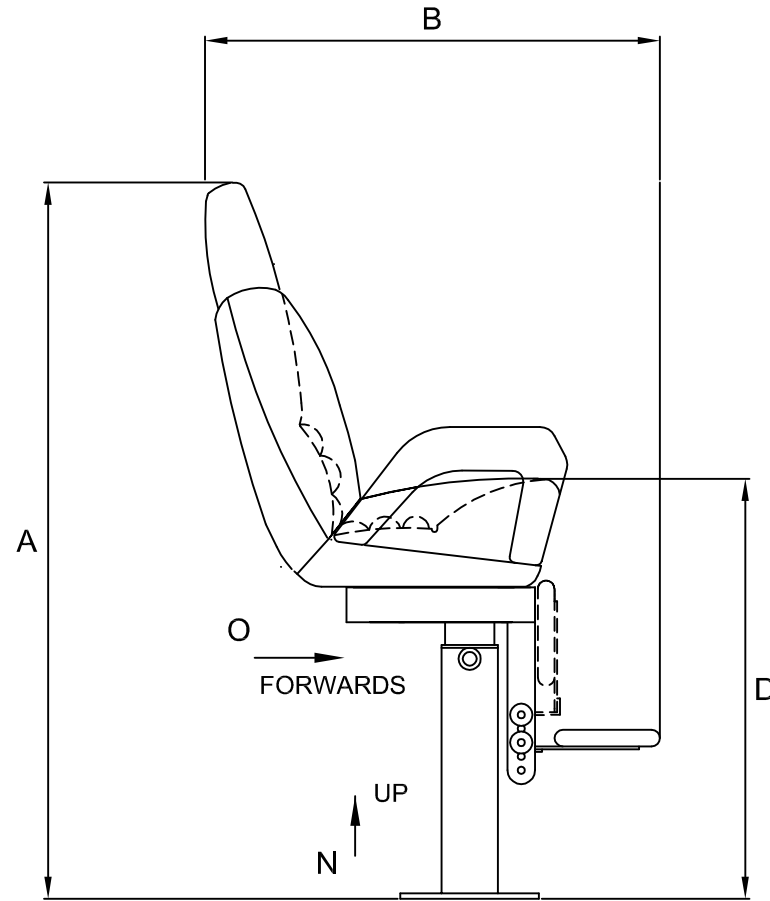
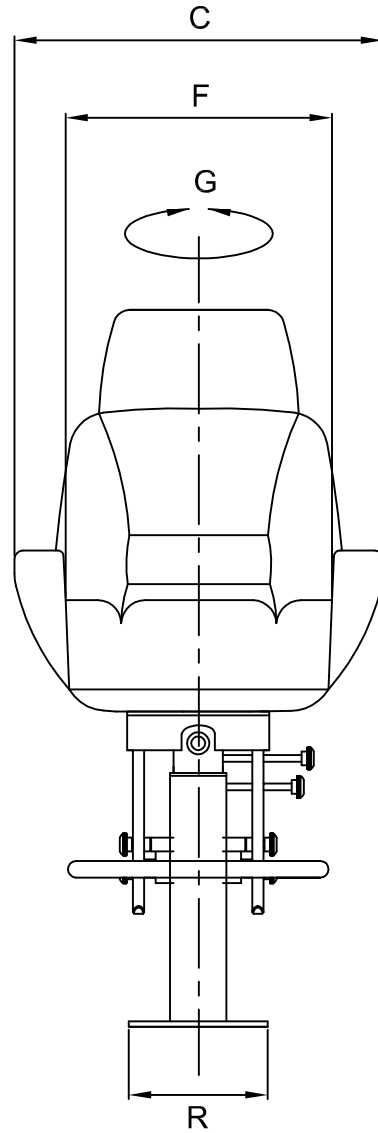


A (mm)	≈ 1300
B (mm)	820
C (mm)	665
D (mm)	760
F (mm)	480
G (°)	360
N (mm)	200
O (mm)	70
R (mm)	∅ 250
Weight (Kg)	48



The padding could vary the sizes of few centimeters



Product

P 223 VANITY CLASSIC

Helm Seat