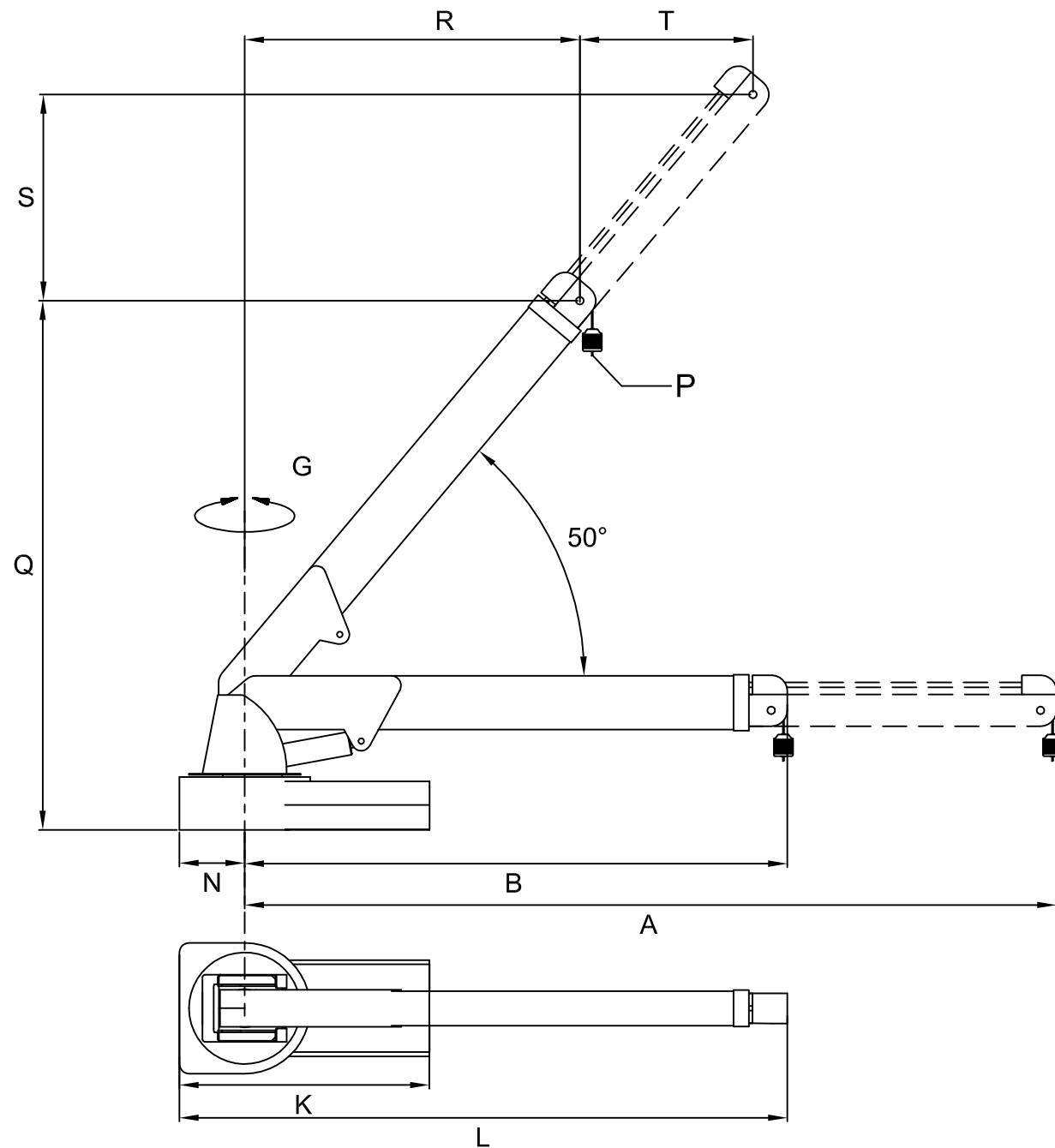
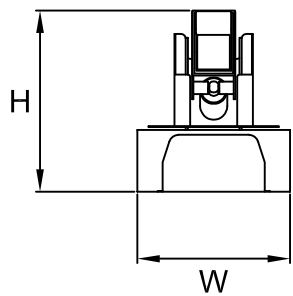


Lifting capacity (Kg)	560
A (mm)	4200
B (mm)	2800
G (°)	180 or 270
H (mm)	810
K (mm)	1300
L (mm)	3160
N (mm)	340
P (mm)	6400
Q (mm)	2750
R (mm)	1740
S (mm)	1070
T (mm)	900
W (mm)	680
Weight (Kg)	550



Product

G 560

Hydraulic Crane