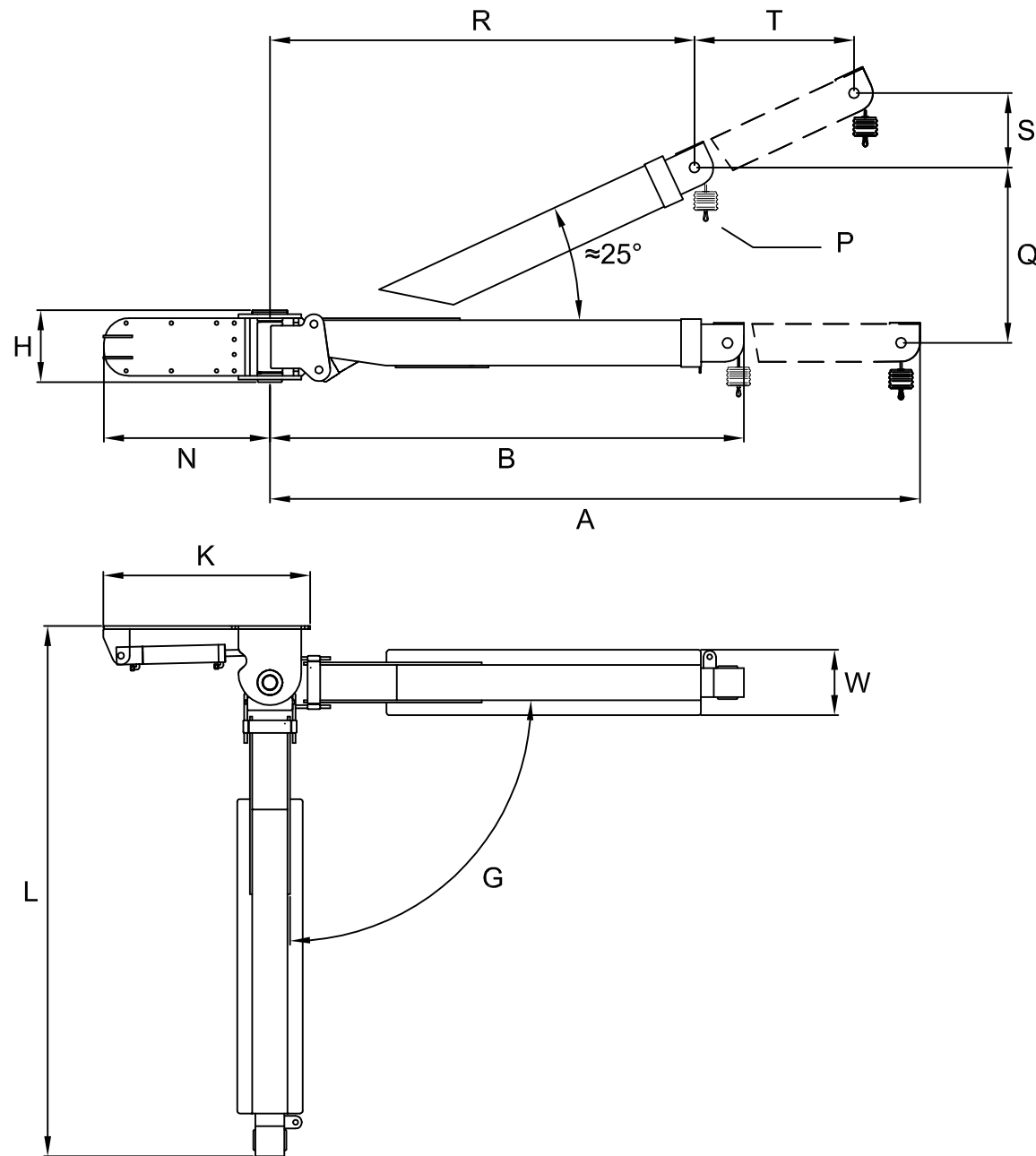


| | |
|-----------------------|-------|
| Lifting capacity (Kg) | 450 |
| A (mm) | 2510 |
| B (mm) | 1820 |
| G (°) | 90 |
| H (mm) | ≈ 290 |
| K (mm) | 825 |
| L (mm) | 2110 |
| N (mm) | 660 |
| P (mm) | 2000 |
| Q (mm) | 700 |
| R (mm) | 1700 |
| S (mm) | 300 |
| T (mm) | 635 |
| W (mm) | 260 |
| Weight (Kg) | 230 |



Product

G 404 Wall Mounted

Hydraulic Crane