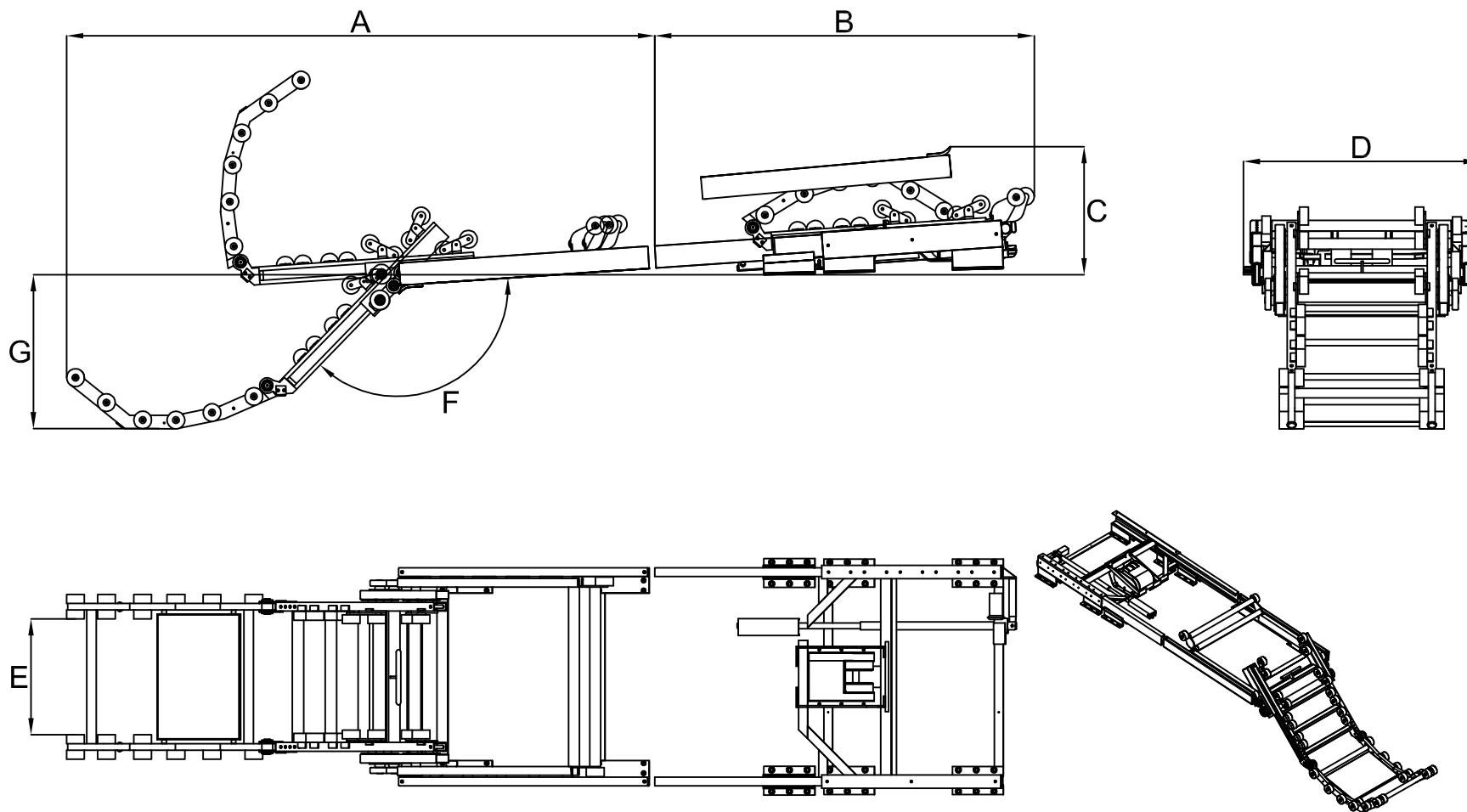


SLITTA 200 Kg	
A (mm)	1400
B (mm)	1850
C (mm)	365
D (mm)	990
E (mm)	520
F (°)	127
Peso/weight	156 Kg
Portata/ lifting capacity	200 Kg



SLITTA 350 Kg	
A (mm)	2650
B (mm)	1710
C (mm)	580
D (mm)	1070
E (mm)	520
F (°)	138
G (mm)	690
Peso/weight	260 Kg
Portata/ lifting capacity	350 Kg