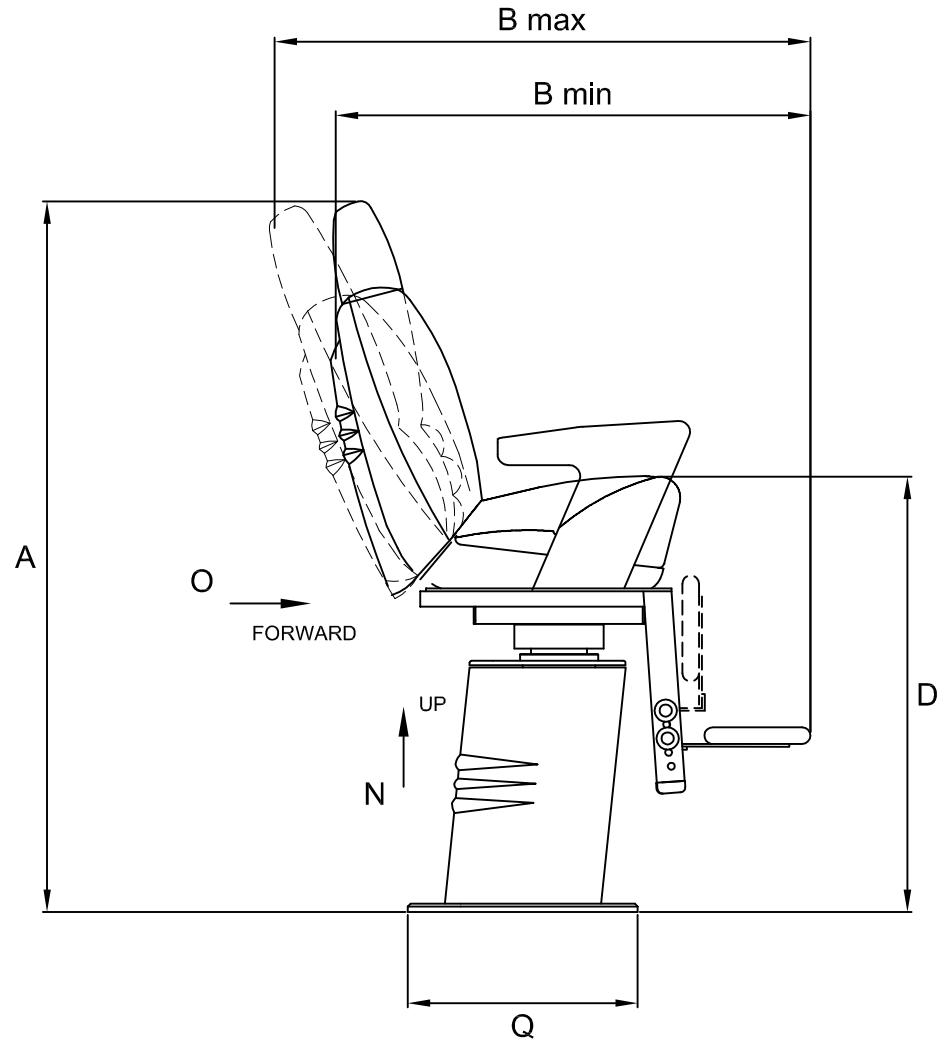
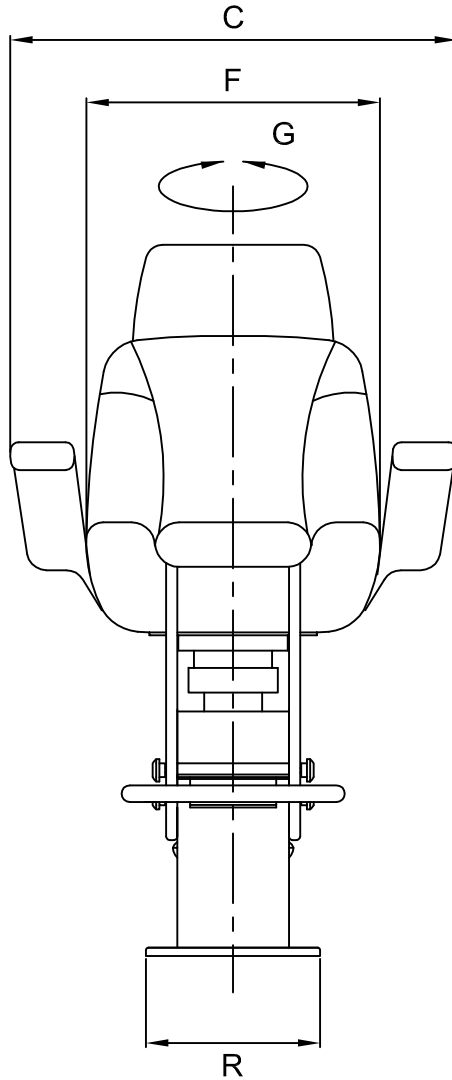


A (mm)	1275
B (mm)	≈ 850-960
C (mm)	800
D (mm)	≈ 780
F (mm)	520
G (°)	90+90
N (mm)	250
O (mm)	≈ 160
Q (mm)	412
R (mm)	312
Weight (Kg)	78



The padding could vary the sizes of few centimeters

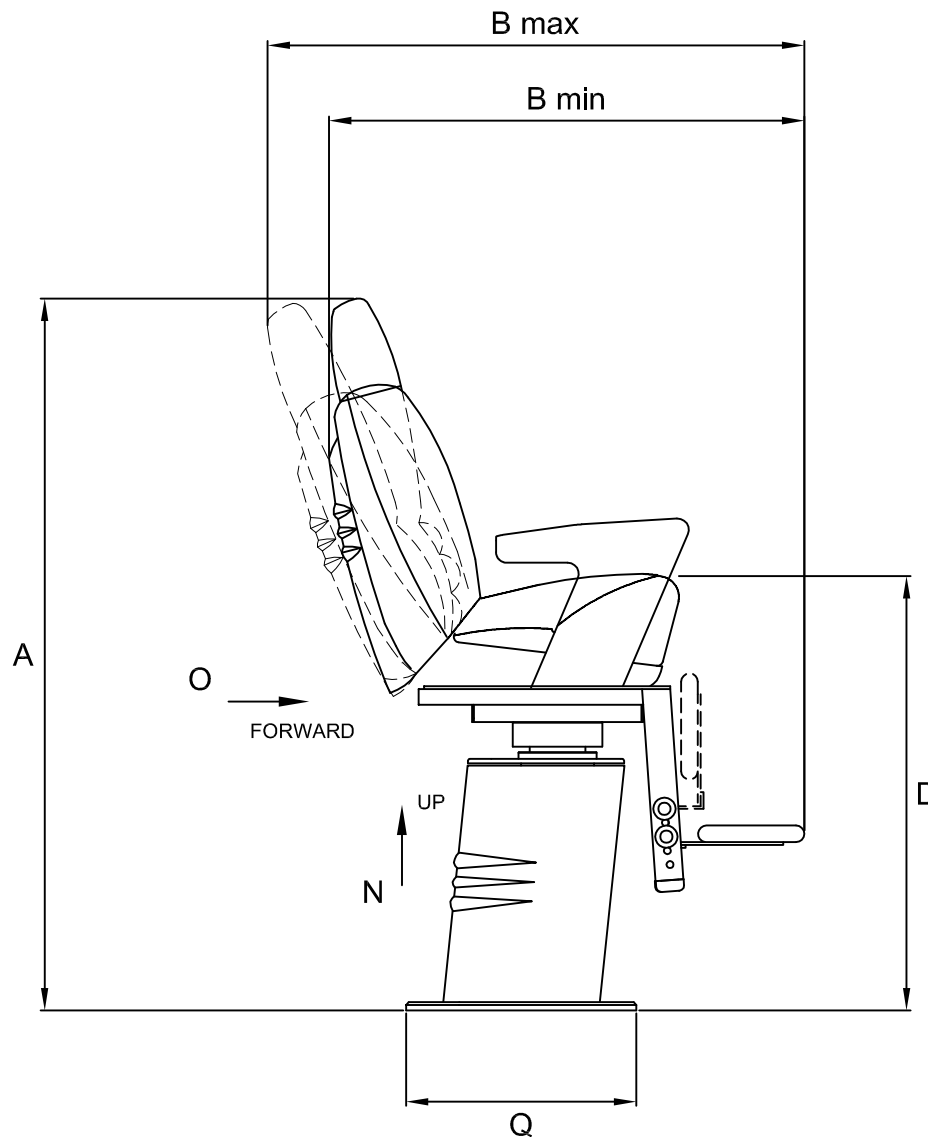
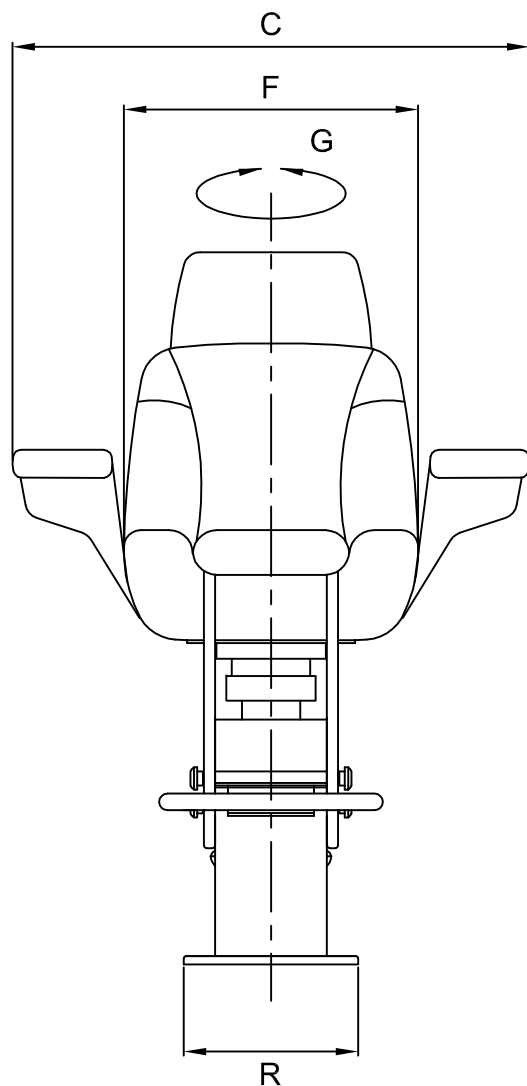


Product

**P 218 PRESIDENT COMMANDER
NARROW ARMRESTS**

Automatic Helm Seat

A (mm)	1275
B (mm)	≈ 850-960
C (mm)	925
D (mm)	≈ 780
F (mm)	520
G (°)	90+90
N (mm)	250
O (mm)	≈ 160
Q (mm)	412
R (mm)	312
Weight (Kg)	78



The padding could vary the sizes of few centimeters



Product

**P 218 PRESIDENT COMMANDER
WIDE ARMRESTS**

Automatic Helm Seat