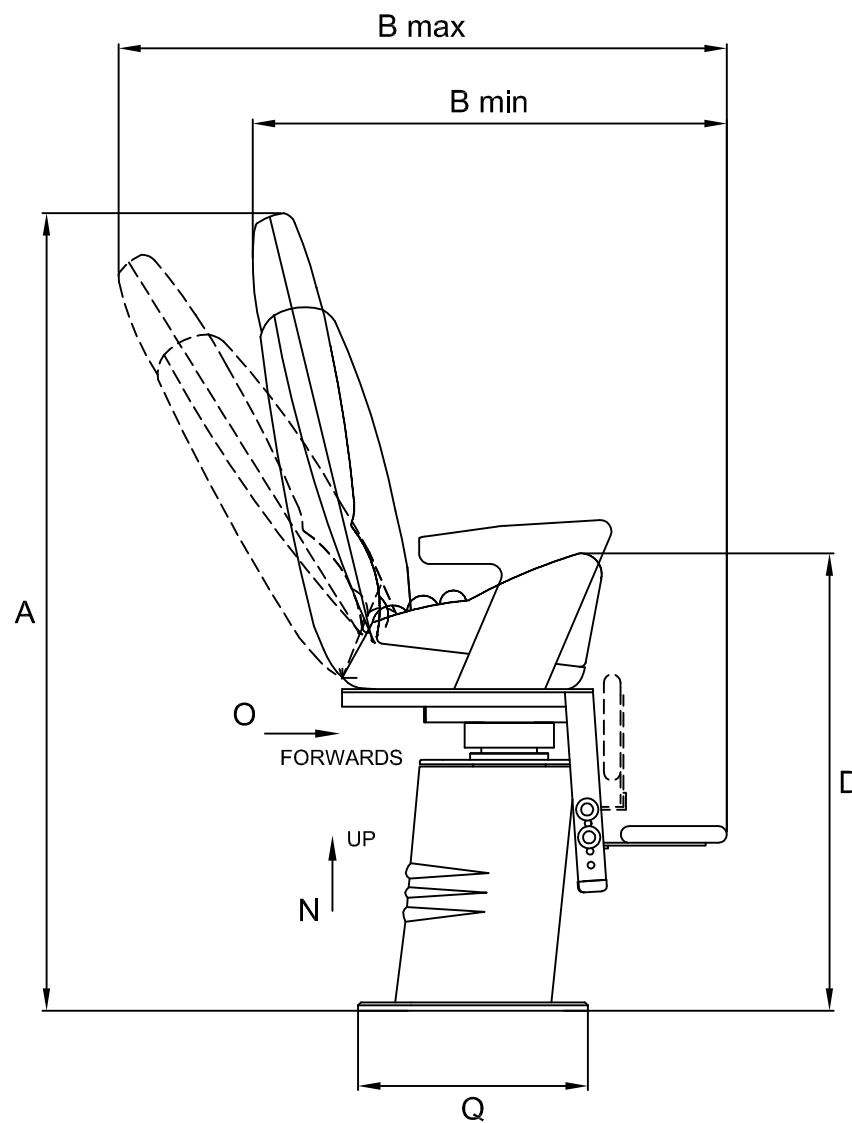
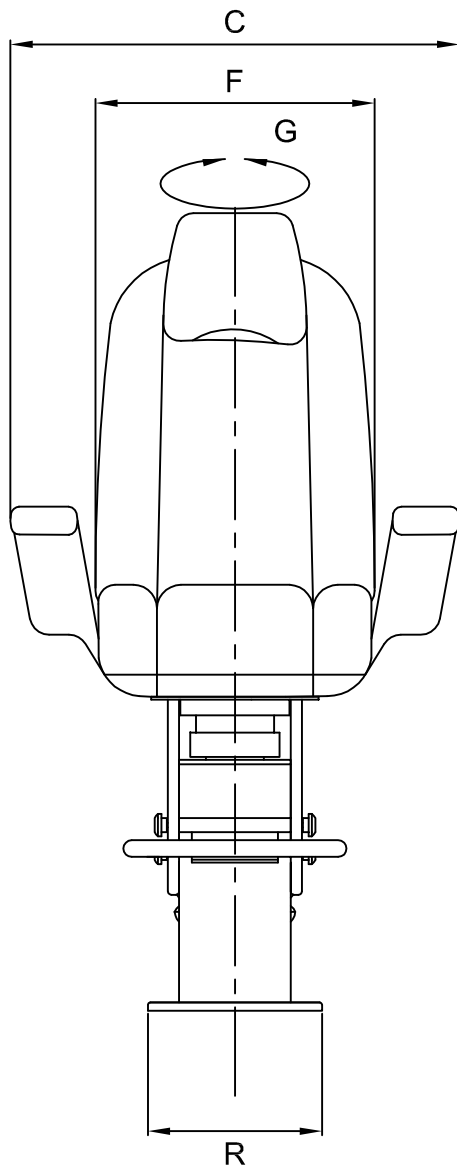


A (mm)	1430
B (mm)	≈ 850- 1090
C (mm)	≈ 810
D (mm)	820
F (mm)	500
G (°)	90+90
N (mm)	250
O (mm)	180
Q (mm)	412
R (mm)	312
Weight (Kg)	85



The padding could vary the sizes of few centimeters



Product

**P 242 SEAGULL WITHOUT JOYSTICK**

**Automatic Helm Seat**