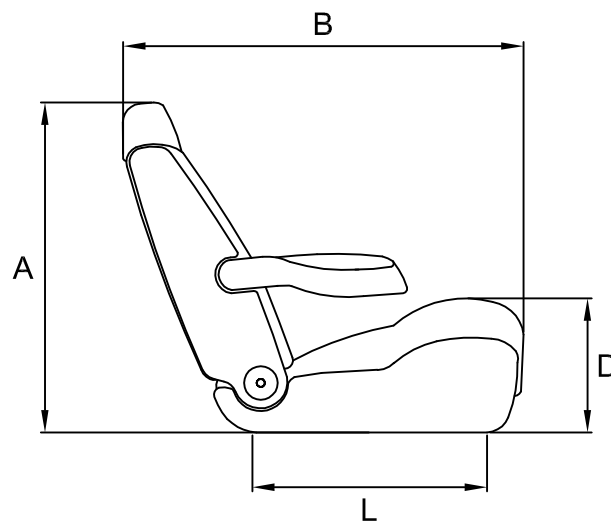
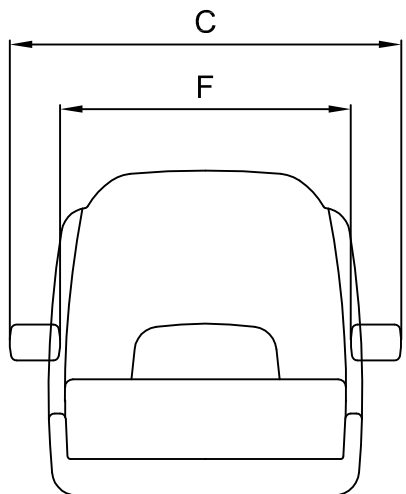


A (mm)	590
B (mm)	720
C (mm)	700
D (mm)	240
F (mm)	520
L (mm)	420
Weight (Kg)	23



The padding could vary the sizes of few centimeters



Product

P 227

Helm Seat