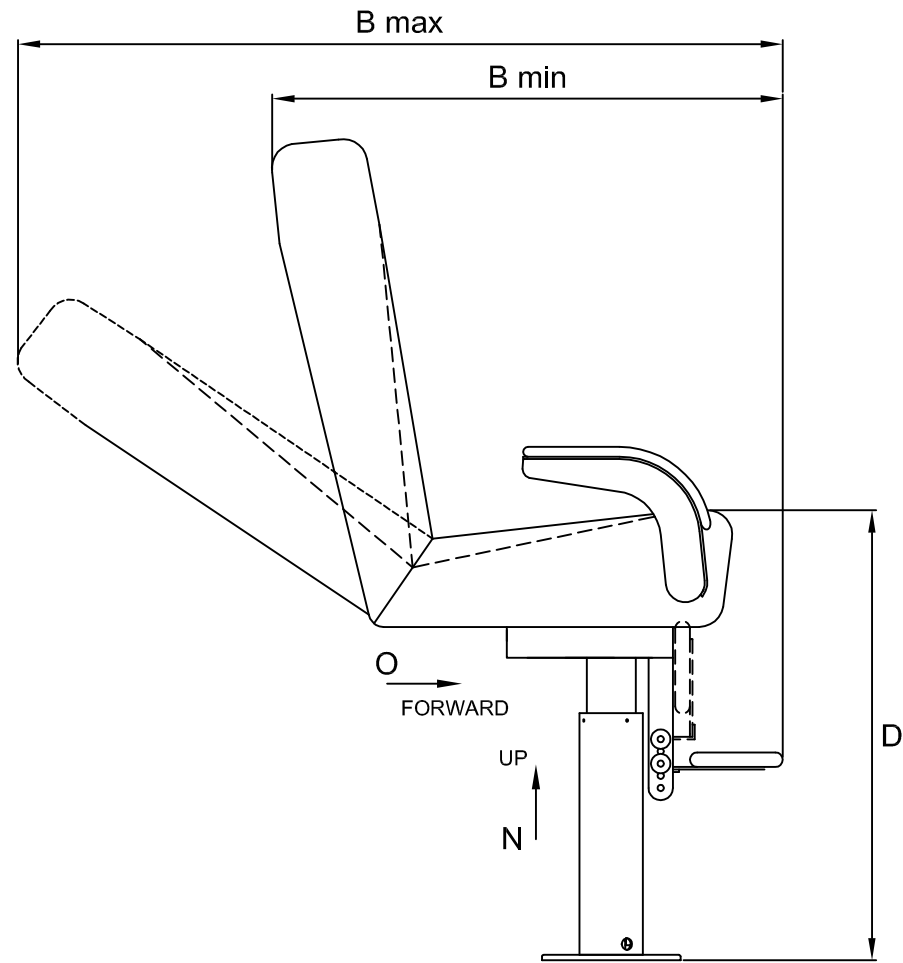
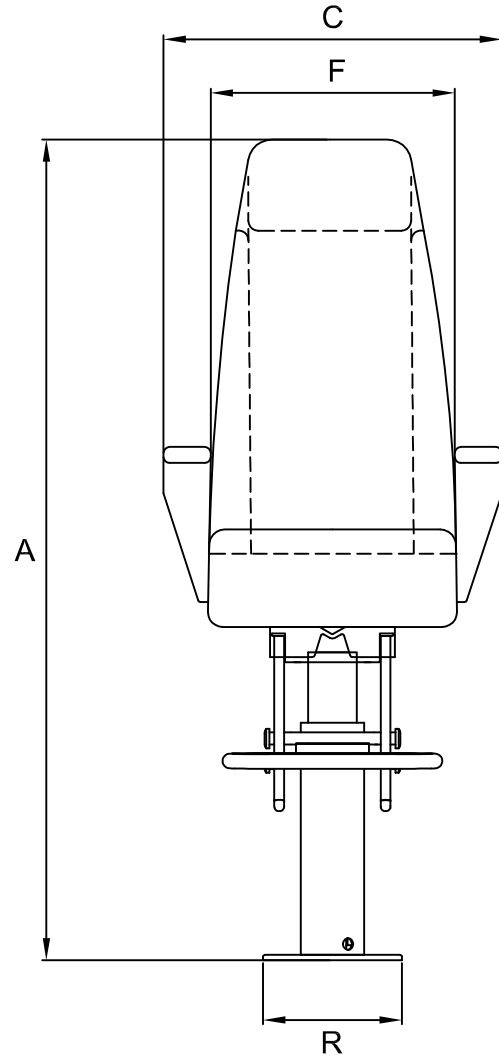


A (mm)	1480
B (mm)	920-1380
C (mm)	610
D (mm)	800
F (mm)	440
N (mm)	250
O (mm)	180
R (mm)	250
Weight (Kg)	54



The padding could vary the sizes of few centimeters

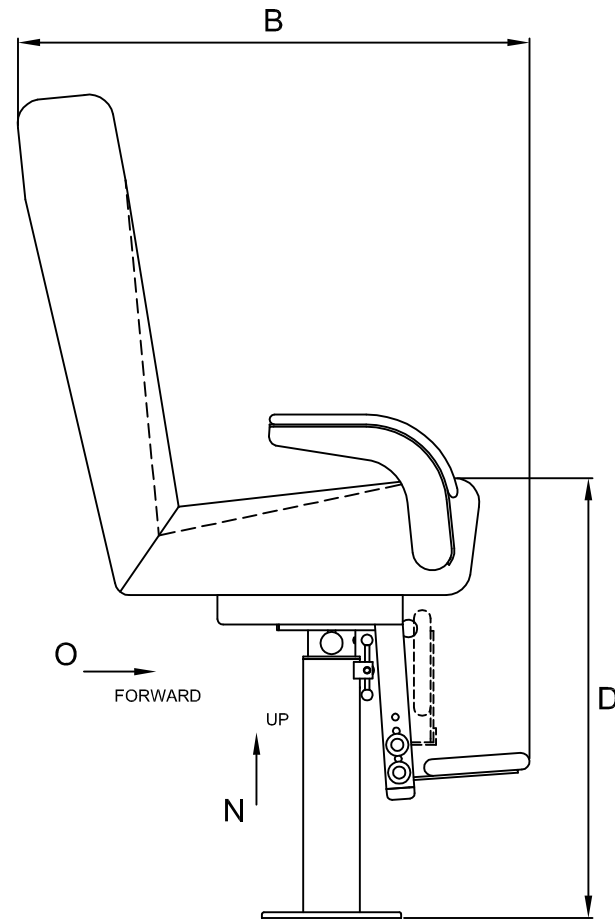
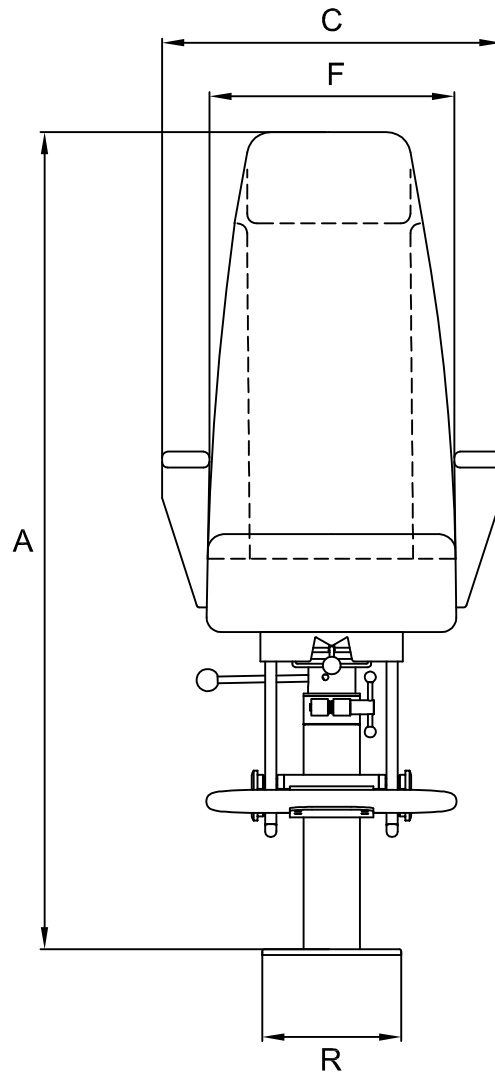


Product

P 338 ELECTRIC

Automatic Helm Seat

A (mm)	1480
B (mm)	920
C (mm)	610
D (mm)	790
F (mm)	440
N (mm)	200
O (mm)	70
R (mm)	Ø 250
Weight (Kg)	54



The padding could vary the sizes of few centimeters



Product

P 338 MANUAL

Helm Seat